



# MM<sup>®</sup> SSD Expansion Joint

## Split-Slab Dual Seismic Foam Seal System

SPECC DATA  
 MM Systems Corporation • 50 MM Way, Pendergrass, GA 30567 • 866.506.6929 • www.mm-usa.com

### DESCRIPTION

The SSD Series is a vehicular and pedestrian rated expansion joint designed for wide openings in split-slab construction. Dual self-expanding acrylic impregnated foam seals with an integral self-healing synthetic anti-puncture surface barriers are epoxy bonded to the aluminum side frames which tie directly into the structural deck waterproofing membrane. Protective interlocking stainless steel retaining caps prevent damage from concrete pavers. A structural center spine is connected through a seismic rotation dowel that is attached to the underside of the slide plate cover which allows for multi-directional seismic movement.

### BASIC USE

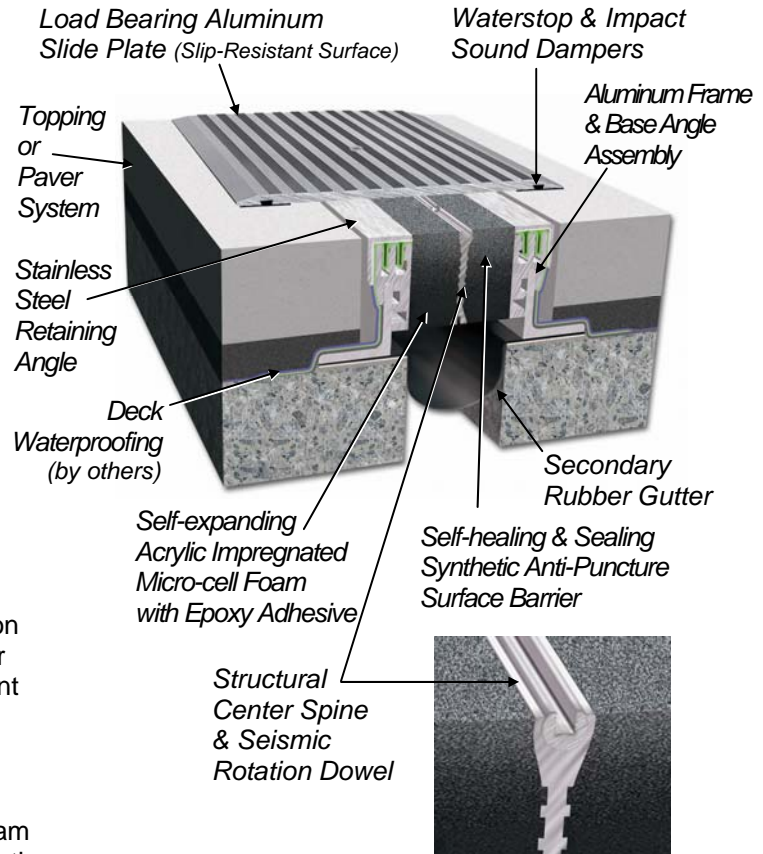
SSD is a traffic bearing weather tight expansion joint for stadiums, parking structures and other open-air structures requiring seismic movement capability.

### FEATURES

- Watertight self-expanding impregnated foam combined with Integral Self-healing Synthetic Anti-Puncture Surface Barrier.
- Capable of multi-directional thermal, seismic, vertical and lateral shear movement.
- Waterproofing Deck Membrane ties directly into interlocking aluminum & stainless steel frame assembly.
- Dual seismic seals provide self-centering feature for center spline and slide plate.
- AASHTO HS-20 load carrying capability.
- Seismic Rotation Dowel facilitates near zero tensile stress at epoxy bond lines.
- Complies with ADA guidelines.
- Conforms to irregular openings virtually eliminating the risk of costly water damage.

### SPECIAL FEATURES

- Slide plate available in stainless steel, galvanized steel or aluminum with impact/sound dampers.
- Compatible with most waterproofing deck membranes.
- Fire Barriers - MM expansion joint systems available with 2 to 4 hr. fire protection ratings.



### PACKAGING

Aluminum and steel frames supplied in 10-foot lengths shipped on wooden pallets.

Accessories packaged in cardboard cartons.

Epoxy Adhesive is supplied in Part A & Part B 1/2-gallon containers. "Easy-mix" pre-measured packaging insures consistent field performance.

### STORAGE

All materials should be stored off the ground in a cool, dry location 70-80°F (20-27°C) for a minimum of 24 hours prior to installation regardless of the temperature at installation site.

### PRECAUTIONS

Use protective goggles and gloves. Read and follow labels and Material Safety Data Sheet before use.

### LIMITATIONS

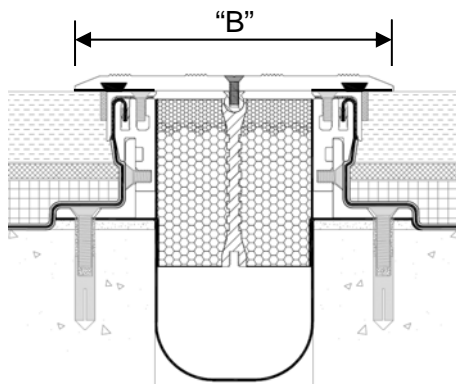
- Concrete must be properly formed, finished and have sound substrate.
- Joints located in turning lanes or exposed to forklift traffic must be engineered for greater impact loads – contact MM Systems.

# MM SSD Series Expansion Joint

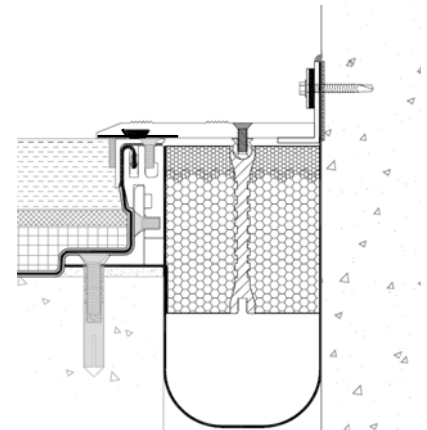
## SELECTION GUIDE

Model Number	Total Movement		Joint Opening "A"						Slide Plate "B"	Slide Plate Thickness "C"						
			Seismic Min.		Thermal Min.		Nominal					Thermal Max.		Seismic Max.		
<b>SSD-400</b>	<b>4.67</b>	<b>119</b>	<b>1.33</b>	<b>34</b>	<b>2.00</b>	<b>51</b>	<b>4.00</b>	<b>102</b>	<b>6.0</b>	<b>152</b>	<b>6.00</b>	<b>152</b>	<b>8.0</b>	<b>203</b>	<b>0.375</b>	<b>10</b>
<b>SSD-600</b>	<b>7.00</b>	<b>178</b>	<b>2.00</b>	<b>51</b>	<b>3.00</b>	<b>76</b>	<b>6.00</b>	<b>152</b>	<b>9.0</b>	<b>229</b>	<b>9.00</b>	<b>229</b>	<b>11.0</b>	<b>279</b>	<b>0.375</b>	<b>10</b>
<b>SSD-800</b>	<b>9.33</b>	<b>237</b>	<b>2.67</b>	<b>68</b>	<b>4.00</b>	<b>102</b>	<b>8.00</b>	<b>203</b>	<b>12.0</b>	<b>305</b>	<b>12.00</b>	<b>305</b>	<b>14.0</b>	<b>356</b>	<b>0.375</b>	<b>10</b>
<b>SSD-1000</b>	<b>11.67</b>	<b>296</b>	<b>3.33</b>	<b>85</b>	<b>5.00</b>	<b>127</b>	<b>10.00</b>	<b>254</b>	<b>15.0</b>	<b>381</b>	<b>15.00</b>	<b>381</b>	<b>17.0</b>	<b>432</b>	<b>0.375</b>	<b>10</b>
<b>SSD-1200</b>	<b>14.00</b>	<b>356</b>	<b>4.00</b>	<b>102</b>	<b>6.00</b>	<b>152</b>	<b>12.00</b>	<b>305</b>	<b>16.0</b>	<b>406</b>	<b>18.00</b>	<b>457</b>	<b>20.0</b>	<b>508</b>	<b>0.500</b>	<b>13</b>
<b>SSD-1400</b>	<b>16.33</b>	<b>415</b>	<b>4.67</b>	<b>119</b>	<b>7.00</b>	<b>178</b>	<b>14.00</b>	<b>356</b>	<b>18.0</b>	<b>457</b>	<b>21.00</b>	<b>533</b>	<b>23.0</b>	<b>584</b>	<b>0.625</b>	<b>16</b>
<b>SSD-1600</b>	<b>18.67</b>	<b>474</b>	<b>5.33</b>	<b>135</b>	<b>8.00</b>	<b>203</b>	<b>16.00</b>	<b>406</b>	<b>20.0</b>	<b>508</b>	<b>24.00</b>	<b>610</b>	<b>26.0</b>	<b>660</b>	<b>0.625</b>	<b>16</b>
<b>SSD-1800</b>	<b>21.00</b>	<b>533</b>	<b>6.00</b>	<b>152</b>	<b>9.00</b>	<b>229</b>	<b>18.00</b>	<b>457</b>	<b>22.0</b>	<b>559</b>	<b>27.00</b>	<b>686</b>	<b>29.0</b>	<b>737</b>	<b>0.625</b>	<b>16</b>

Dimensions are shown in **inches** (bold) and millimeters. See web site for SSD-C Slab-to-Wall Movement Table. Contact MM Systems for larger sizes and project specific designs



SSD Series (Slab-to-Slab)



SSD-C Series (Slab-to-Wall)

### LIMITED WARRANTY

MM Systems warrants the Split-Slab Dual Seismic Foam Seal System to be free of defects in material and conform to technical data listed. We make no warranty as to color or appearance. Since methods of application can affect performance and on site conditions are beyond our control, MM Systems makes no other warranty, expressed or implied, including warranties of MERCHANTABILITY AND FITNESS FOR A PARTICULAR PURPOSE. MM Systems sole obligation shall be, at its option, to replace, or to refund the purchase price of the quantity of system proved to be defective. In no event shall MM Systems be liable for any special, incidental, consequential, loss of profits or punitive damages. Other warranties may be available when installed by a MM Certified Contractor.

### INSTALLATION

- 1) Remove and repair all unsound concrete in and around the breakout. All spalls must be repaired with compatible patching material.
- 2) Pre-attach aluminum side frame to base angle.
- 3) Install anchors using base angle as a spacing and location template.
- 4) Adjust overall system height – utilize structural repair mortar leveling bed as necessary to correct elevation.
- 5) Install structural center spline per installation guideline.
- 6) Insert Seismic Rotation Dowel and attach leveling devices.
- 7) Splice deck waterproofing membrane into the SSD frame assembly.
- 8) Apply a thin layer of the two-component epoxy adhesive to the sides of the seal, sidewall of the center spline (enough to fill the ribs) and to the sidewalls of the side frame assembly prior to installing the foam seals.
- 9) Release factory precompressed foam seals to expand and fill opening.
- 10) Install Slide Plate Cover and hardware per the SSD Installation Guideline.
- 11) Refer to the SSD Installation Guideline for detailed step-by-step instructions.

MM Systems reserves the right to amend or withdraw information contained herein, without notice, and will not be liable for any inaccuracy or ambiguity of said information.

Current Issue 01-30-14



50 MM Way, Pendergrass, GA 30567 • 866.506.6929 • www.mm-usa.com

Spec Data