



MM[®] SID Series Expansion Joint

Stainless Steel Impact Damping System

DESCRIPTION

The SID Series expansion joint is designed for wide expansion joint openings with the ability to facilitate heavy loading. Recessed stainless steel slide plates allow the system to remain flush during thermal movement. Rubber high-density impact damping base shock pads absorb traffic impact loads while accommodating minor deck deflection. The flexible fabric reinforced rubber gutter in conjunction with the rubber base shock pads enhances the SID waterproofing attributes.

BASIC USE

SID is a traffic bearing expansion joint for parking structures (convention centers, concourse areas, etc.) and other open-air structures requiring a heavy-duty load bearing design. Contact MM Systems for galvanized steel GID Series and aluminum AID Series designs.

FEATURES

- For wide joints with recessed concrete blockouts.
- Impact damping rubber shock pads.
- AASHTO HS-20 load carrying capability.
- Complies with ADA guidelines.
- Load bearing recessed slide plate available with standard Mill Finish, Diamond Tread, and PediGrip surface treatments.
- Slide plates are also available in aluminum or galvanized steel.
- Integral fabric reinforced puncture resistant continuous rubber gutter.

SPECIAL FEATURES

- Optional flexible train tube assemblies.
- Fire Barriers - MM expansion joint systems are available with 2 to 4 hour fire protection ratings.

STORAGE

- Store in a dry location prior to use. Read and follow labels and Material Safety Data Sheet before use.

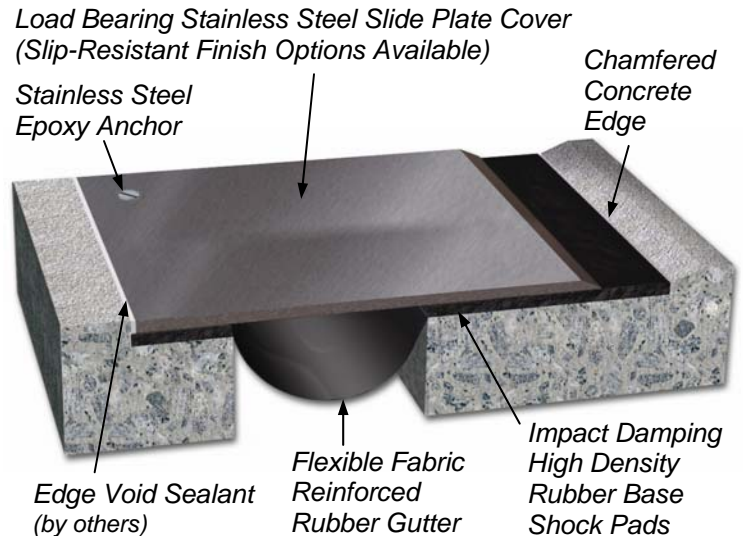


PLATE FINISH OPTIONS



PediGrip
(glass bead abraded)



Diamond Tread

PACKAGING

Stainless Steel slide plates supplied in longest possible mill lengths and shipped on wooden pallets.

Hardware and other accessories packaged in cardboard cartons.

Fabric Reinforced Rubber Gutter is supplied in longest possible lengths shipped on pallets or spools.

PRECAUTIONS

Adhesives - Use splash goggles and chemical resistant gloves to avoid prolonged or repeated skin contact. Use with adequate ventilation. In case of eye contact, immediately flush (low pressure) with lukewarm water. In case of skin contact, immediately wash skin with soap and water. Read and follow labels and Material Safety Data Sheet before use.

LIMITATIONS

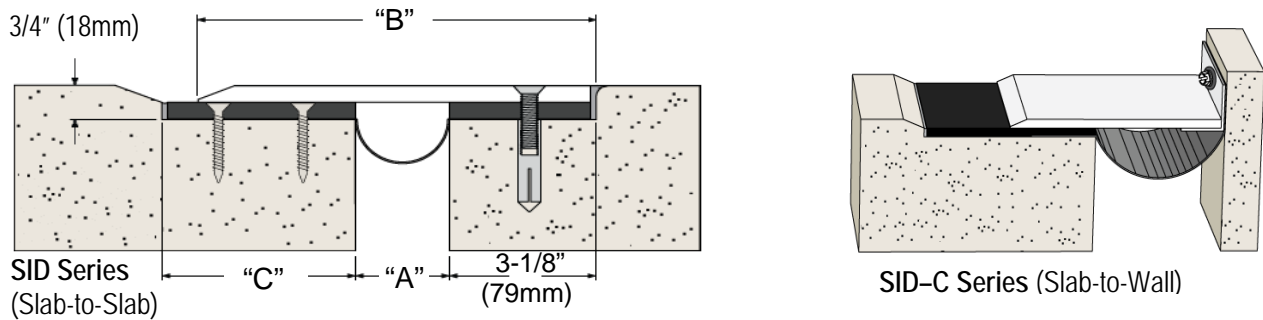
- Concrete blockouts must be properly formed, finished and have sound substrate.
- Joints located in turning lanes or exposed to forklift traffic must be engineered for greater impact loads – contact MM Systems.

MM[®] SID Series Expansion Joint

SELECTION GUIDE

Model Number	Total Movement		Joint Opening "A"						Slide Plate "B"		Blockout "C"	
			Min.		Nominal		Max.					
SID-200	2.0	51	1.0	25	2.0	51	3.0	76	7.0	178	4.125	105
SID-300	3.0	76	1.5	38	3.0	76	4.5	114	8.5	216	5.125	130
SID-400	4.0	102	2.0	51	4.0	102	6.0	152	10.0	254	6.125	156
SID-500	5.0	127	2.5	64	5.0	127	7.5	191	11.5	292	7.125	181
SID-600	6.0	152	3.0	78	6.0	152	9.0	229	13.0	330	8.125	206
SID-700	7.0	178	3.5	89	7.0	178	10.5	267	14.5	368	9.125	232
SID-800	8.0	203	4.0	102	8.0	203	12.0	305	16.0	406	10.125	257
SID-900	9.0	229	4.5	114	9.0	229	13.5	343	17.5	445	11.125	283
SID-1000	10.0	254	5.0	127	10.0	254	15.0	381	19.0	483	12.125	308

Dimensions are shown in **inches** (bold) and millimeters. See web site for SID-C Slab-to-Wall Movement Table. Contact MM Systems for larger sizes and project specific designs.



LIMITED WARRANTY

MM Systems warrants the MM Stainless Steel Impact Damping System to be free of defects in material and conform to technical data listed. We make no warranty as to color or appearance. Since methods of application can affect performance and on site conditions are beyond our control, MM Systems makes no other warranty, expressed or implied, including warranties of MERCHANTABILITY AND FITNESS FOR A PARTICULAR PURPOSE. MM Systems sole obligation shall be, at its option, to replace, or to refund the purchase price of the quantity of system proved to be defective. In no event shall MM Systems be liable for any special, incidental, consequential, loss of profits or punitive damages. Other warranties may be available when installed by a MM Certified Contractor.

INSTALLATION

- 1) Remove and repair all unsound concrete in and around the blockout. All spalls must be repaired with compatible patching material.
- 2) Prepare substrate by sandblasting. The blockout must be clean and dry prior to installation and bonding of rubber base pad.
- 3) Install fabric reinforced rubber gutter with Microsealant Waterproofing Tape.
- 4) Apply epoxy bedding compound over entire blockout bottom with a notched trowel.
- 5) Install rubber shock base pad over rubber gutter into bedding compound.
- 6) Install SID slide plate cover with epoxy insert anchors supplied.
- 7) Mask-off top of deck parallel with edge of blockout on each side of the expansion joint.
- 8) Fill edge voids with sealant supplied by others.
- 9) Torque hardware per the SID Installation Guideline.
- 10) Refer to the SID Installation Guideline for detailed step-by-step instructions.

MM Systems reserves the right to amend or withdraw information contained herein, without notice, and will not be liable for any inaccuracy or ambiguity of said information.

Current Issue 7-11-12



Spec Data

50 MM Way, Pendergrass, GA 30567 • 866.506.6929 • www.mm-usa.com