



MM[®] Pyro-Flex-EB Series

Epoxy Bonded Fire Barrier System

SPECC DATA
 MM Systems Corporation • 50 MM Way, Pendergrass, GA 30567 • 800.241.3460 • www.mm-usa.com

DESCRIPTION

The Pyro-Flex Epoxy Bonded Floor Fire Barrier Protection System is an engineered high performance fire resistive system for sealing expansion joint openings. The system is comprised of a flexible, high purity ceramic fiber blanket, stainless steel foil and a matrix of fire resistive cloth as required to achieve a specified protection and endurance rating. System is secured top-down directly to the joint opening utilizing a fire rated epoxy bonding system.

BASIC USE

PF-EB is a fire resistive sealing system designed for sealing expansion joint openings in buildings, stadiums and parking structures.

PERFORMANCE STANDARDS

- UL 2079-Class I, II and III
- ASTM E-119
- ASTM E-1966
- ASTM E- 1399

CODE COMPLIANCE

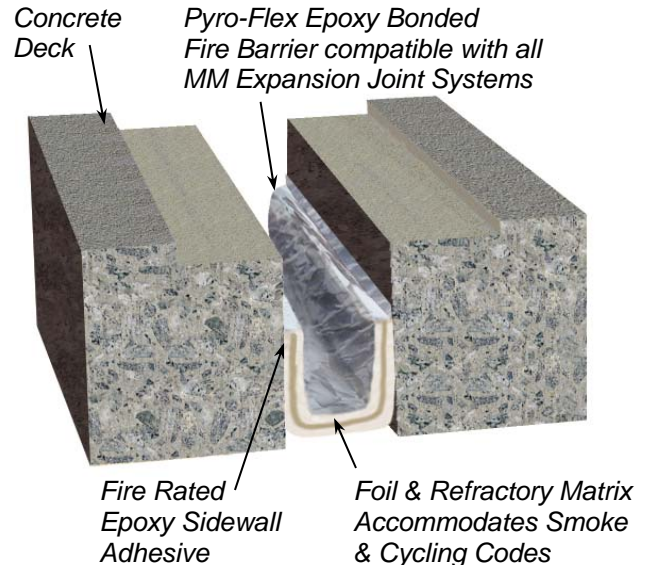
- UBC, SBC, BOCA
- International Building Code

FEATURES

- Designed to provide the required fire endurance rating of 2 through 4 hours.
- Listed with an accredited independent laboratory.
- Accommodates dynamic movement without stress or degradation to its components.
- Minimizes passage of smoke.

SPECIAL FEATURES

- Design compatible with most expansion joints.
- No mechanical fasteners required.
- Accommodates seismic lateral shear.



Thermal, Seismic & Shear Rated Designs Available

PACKAGING

Pyro-Flex supplied in 25-foot lengths shipped on wooden pallets or cardboard cartons.

Metal retainers supplied in 10-foot lengths shipped on wooden pallets or cardboard cartons.

Hardware and other accessories packaged in cardboard cartons.

STORAGE & PROTECTION

All materials should be stored in a completely dry location prior to use. Fire Barrier must be kept dry before, during and after installation.

LIMITATIONS

- Expansion joint openings must be parallel and straight to achieve fire-resistive seal.
- Adjacent construction must have fire-resistive ratings equal to or greater than the rating of the fire barrier systems.

PRECAUTIONS

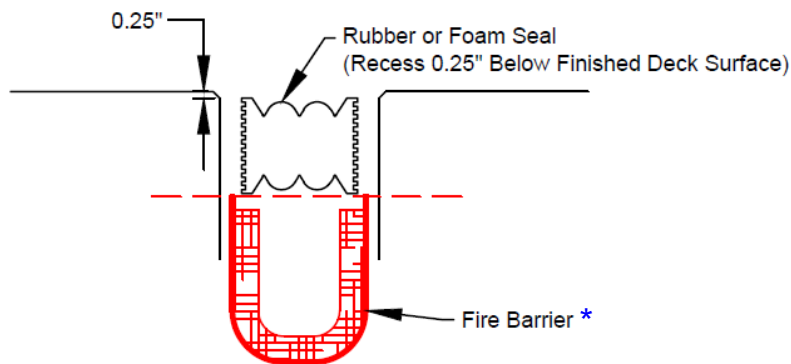
Use protective goggles and gloves. Read and follow labels and Material Safety Data Sheet before use.

MM[®] Pyro-Flex-EB Floor Series

SELECTION GUIDE

Model Number	Total Movement		Joint Opening "A"					
			Min.		Nominal		Max.	
PF-2018F-EB 2-1	2.0	51	1.0	25	2	51	3.00	76
PF-2018F-EB 2.5-1.25	2.5	64	1.25	25	2.5	64	3.75	96
PF-2018F-EB 3-1.5	3.0	76	1.5	38	3	76	4.50	114
PF-2018F-EB 4-2	4.0	102	2.0	51	4	102	6.00	152
PF-2018F-EB 5-2.5	5.0	127	2.5	64	5	127	7.50	191
PF-2018F-EB 6-3	6.0	152	3.0	76	6	152	9.00	229
PF-2018F-EB 8-4	8.0	203	4.0	102	8	203	12.0	305

Contact MM Systems for larger sizes and project specific designs.
PF Series requires some form of expansion joint or cover over the fire barrier.



Pyro-Flex Epoxy Bonded Floor Series
(Top Down Installation)

Continuous rubber moisture barrier included but not shown*

INSTALLATION

1. Remove and repair all unsound concrete in and around the joint opening. All spalls must be repaired with structural patching material approved by engineer of record.
2. Uncoil fire barrier and fold into a "U" shape configuration.
3. Install fire barrier into expansion joint opening.
4. Install continuous rubber moisture barrier over fire barrier.
5. Attach expansion joint system per Installation Guideline.
6. Install using specified epoxy per Installation Guideline.
7. Refer to the PF Epoxy Bonded Installation Guideline for detailed step-by-step instructions.

LIMITED WARRANTY

MM Systems warrants the MM Pyro-Flex Epoxy Bonded System to be free of defects in material and conform to technical data listed. We make no warranty as to color or appearance. Since methods of application can affect performance and on site conditions are beyond our control, MM Systems makes no other warranty, expressed or implied, including warranties of MERCHANTABILITY AND FITNESS FOR A PARTICULAR PURPOSE. MM Systems sole obligation shall be, at its option, to replace, or to refund the purchase price of the quantity of system proved to be defective. In no event shall MM Systems be liable for any special, incidental, consequential, loss of profits or punitive damages. Other warranties may be available when installed by a MM Certified Contractor.

TESTING COMPLIANCE

1. Certified and listed by an accredited third party witnessing agency.
2. Tested in accordance with International Building Code Section 712.3, ASTM E1966 and UL 2079 at a maximum listed expansion joint opening as defined by ASTM E1399.
3. Minimizes passage of smoke.
4. Tested with positive pressure.
5. Cycle tested full length incorporating splice transitions. Pyro-Flex fire barrier system meets or exceeds the following dynamic movement requirements (cpm equals cycles per minute):
 - a. Seismic movement rating of 30 (cpm) for 100 cycles, followed by;
 - b. Thermal movement rating of 10 (cpm) for 400 cycles.
 - c. Total Cycles Required - 500 cycles.

MM Systems reserves the right to amend or withdraw information contained herein, without notice, and will not be liable for any inaccuracy or ambiguity of said information.

Current Issue 1-26-16

