



MM[®] HSC Expansion Joint

Hinged Safety Cover System

SPECC DATA
 MM Systems Corp. • 50 MM Way, Pendergrass, GA 30567 • 866.506.6929 • www.mmsystemscorp.com

DESCRIPTION

The HSC Series is designed for expansion joint openings without conventional blockouts. The HSC can accommodate vertical offsets in opposing concrete decks and multi-directional seismic movement. The surface mounted hinged anchor frame provides support for the adjustable safety cover that incorporates an integral impact / sound damper. The flexible fabric reinforced rubber gutter enhances the system's waterproofing capability.

BASIC USE

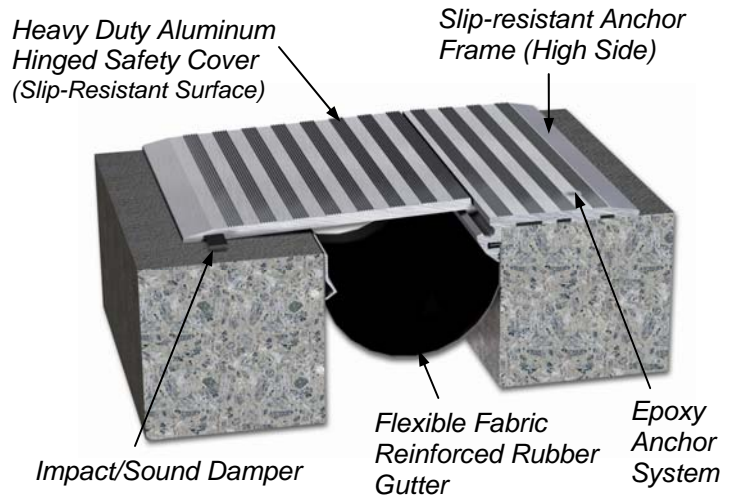
HSC is a traffic bearing expansion joint for parking structures, pedestrian bridges and stadium concourse areas requiring compensation for settlement that has or may occur in the concrete deck and for decks that deflect due to vehicular traffic loads.

FEATURES

- For joints with vertical offsets in opposing concrete decks or with deflection caused by vehicular traffic.
- AASHTO HS-20 load carrying capability.
- Ideal for high traffic pedestrian areas.
- Heavy-duty aluminum anchor frames with interlocking design to insure proper alignment.
- Integral fabric reinforced rubber gutter.
- No-blockout design is ideal for retrofit and new construction.
- Aluminum frames incorporate raised pattern slip-resistant surface profile.
- Complies with ADA guidelines.

SPECIAL FEATURES

- Safety Cover with impact/sound damper.
- LokCrete[®] Bedding Compound - hard, elastic, gap filler bonds aluminum frame to concrete deck reducing water intrusion.
- Fire Barriers - MM expansion joint systems are available with appropriate 2 - 4 hour fire protection ratings.



OPTIONAL – It is recommended to use LokCrete[®] Bedding Compound under Slip-resistant Anchor Frame to level irregular concrete deck surfaces.

STORAGE

Store HSC components in a dry location.

Optional - LokCrete Bedding Compound should be stored in a cool, dry location 60-80°F (15-27°C) prior to use.

PACKAGING

Aluminum extrusion supplied in 10-foot lengths shipped on wooden pallets.

Optional - LokCrete is supplied in pre-measured Part A, B and C components.

Accessories packaged in cardboard cartons.

PRECAUTIONS

LokCrete - Use splash goggles and chemical resistant gloves to avoid prolonged or repeated skin contact. Use with adequate ventilation. In case of eye contact, immediately flush (low pressure) with lukewarm water. In case of skin contact, immediately wash skin with soap and water. Read and follow labels and Material Safety Data Sheet before use.

LIMITATIONS

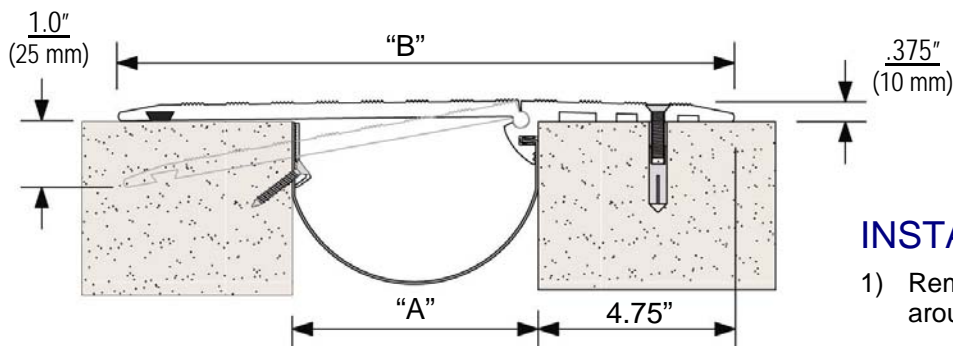
- Concrete must be properly formed, finished and have sound substrate.
- Joints located in turning lanes or exposed to heavy traffic must be engineered for greater impact loads – contact MM Systems.

MM[®] HSC Expansion Joint System

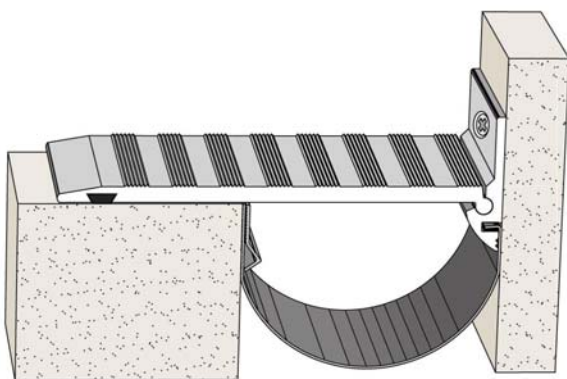
SELECTION GUIDE

Model Number	Total Movement		Joint Opening "A"						System Width "B"	
			Min.		Nominal		Max.			
HSC-200	2.00	51	1.0	25	2.0	51	4.0	102	8.8	224
HSC-400	5.00	127	1.0	25	4.0	102	6.0	152	12.0	305
HSC-600	8.00	203	1.0	25	6.0	152	9.0	229	15.0	381
HSC-1200	17.0	432	1.0	25	12.0	305	18.0	457	25.0	635
HSC-C-200	2.00	51	1.0	25	2.0	51	4.0	102	4.10	184
HSC-C-400	5.00	127	1.0	25	4.0	102	6.0	152	7.25	184
HSC-C-600	8.00	203	1.0	25	6.0	152	9.0	229	10.25	260
HSC-C-1200	17.0	432	1.0	25	12.0	305	18.0	457	19.75	502

Dimensions are shown in **inches** (bold) and millimeters.
Contact MM Systems for larger sizes and project specific designs.



HSC Series / Slab-to-Slab



HSC - C Series / Slab-to Wall

LIMITED WARRANTY

MM Systems warrants the MM Hinged Safety Cover System to be free of defects in material and conform to technical data listed. We make no warranty as to color or appearance. Since methods of application can affect performance and on site conditions are beyond our control, MM Systems makes no other warranty, expressed or implied, including warranties of MERCHANTABILITY AND FITNESS FOR A PARTICULAR PURPOSE. MM Systems sole obligation shall be, at its option, to replace, or to refund the purchase price of the quantity of system proved to be defective. In no event shall MM Systems be liable for any special, incidental, consequential, loss of profits or punitive damages.

Other warranties may be available when installed by a MM Certified Contractor.

INSTALLATION

- 1) Remove and repair all unsound concrete in and around the joint opening.
- 2) Install fabric reinforced rubber gutter into non-slip anchor plate.
- 3) Optional - apply LokCrete Bedding Compound. Mask-off top of deck parallel with outside edge of non-slip anchor plate prior to application.
- 4) Install slip-resistant anchor plate with epoxy anchors supplied.
- 5) Remove all masking (paper and duct tape). Hardening of bedding compound will make removal of these items difficult.
- 6) Install continuous impact / sound damper strip in underside channel of hinged safety plate.
- 7) Install hinged safety plate.
- 8) Install splice connector and slip connector plates to underside of safety plate.
- 9) Refer to the HSC Installation Guideline for detailed step-by-step instructions.

MM Systems reserves the right to amend or withdraw information contained herein, without notice, and will not be liable for any inaccuracy or ambiguity of said information.

Current Issue 3-07-09



MM
MM SYSTEMS

50 MM Way, Pendergrass, GA 30567 • 866.506.6929 • www.mmsystemscorp.com

Spec Data