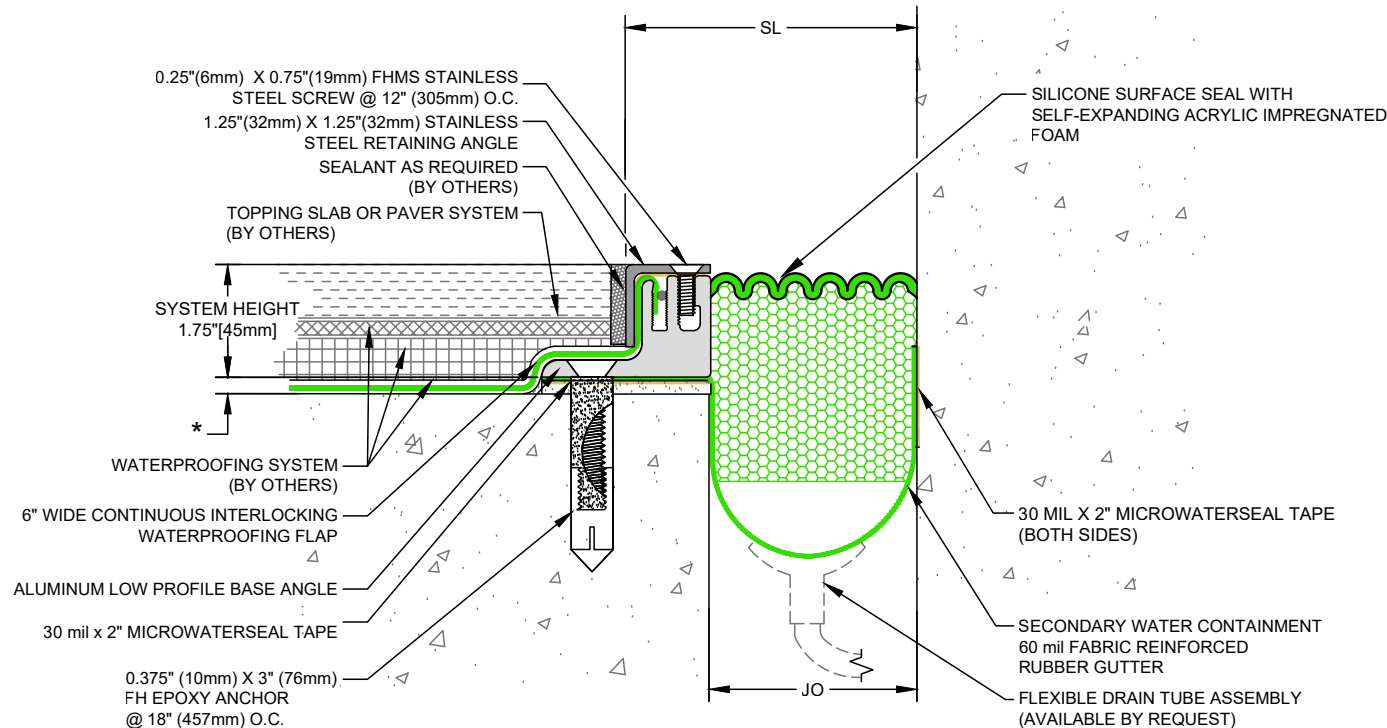


Model Number	Nominal (JO <sub>N</sub> )		Nominal (SL <sub>N</sub> )		Thermal Movement (JO <sub>T</sub> )				Seismic Movement (JO <sub>S</sub> )				Total (JO <sub>Δ</sub> )	
	Minimum	Maximum	Minimum	Maximum	Minimum	Maximum	Minimum	Maximum	Minimum	Maximum	Minimum	Maximum		
SSF-C-200LP	<b>1.50</b>	38	<b>4.00</b>	102	<b>0.75</b>	19	<b>2.50</b>	64	<b>0.75</b>	19	<b>3.25</b>	83	<b>2.50</b>	64
SSF-C-300LP	<b>2.00</b>	57	<b>4.75</b>	121	<b>1.00</b>	25	<b>3.50</b>	89	<b>1.00</b>	25	<b>4.25</b>	108	<b>3.25</b>	83
SSF-C-400LP	<b>3.00</b>	76	<b>5.50</b>	140	<b>1.50</b>	38	<b>4.50</b>	114	<b>1.50</b>	38	<b>5.50</b>	140	<b>4.00</b>	102
SSF-C-500LP	<b>4.00</b>	102	<b>6.50</b>	165	<b>1.50</b>	38	<b>5.50</b>	140	<b>1.50</b>	38	<b>6.50</b>	165	<b>5.00</b>	127
SSF-C-600LP	<b>5.00</b>	127	<b>7.50</b>	191	<b>3.00</b>	76	<b>6.00</b>	152	<b>3.00</b>	76	<b>9.00</b>	229	<b>6.00</b>	152

Dimension shown in inches (**bold**) and millimeters. JO = Joint Opening. SL = Sight Line.

**Waterproofing Membrane Compatibility** - confirm with membrane manufacturer grade of rubber to be used on waterproofing splice flap.



## SSF-C-LP Series Expansion Joint

(Slab-to-Wall)

\* NOTE: LEVELING BED (BY OTHERS) ADJUSTED IN FIELD AS NECESSARY TO ACHIEVE PROPER ELEVATION



50 MM WAY  
 PENDERGRASS, GA. 30567  
 706-824-7500 PHONE  
 800-241-3460 TOLL FREE  
 706-824-7501 FAX

[www.mm-usa.com](http://www.mm-usa.com)

For Spec-Data, Install Guides, and other data visit [www.mm-usa.com](http://www.mm-usa.com).

### RIGHTS OF DESIGN

All rights of design, detail, engineering and/or invention contained herein are the property of MM Systems Corporation and hereby reserved and are not to be reproduced or provided to any other party. MM Systems Corporation reserves the right to amend or withdraw any information contained herein without notice and will not be liable for any inaccuracy or ambiguity of said information.

## Split-Slab Silicone Foam Expansion Joint SSF-C Low Profile Series

Drawn by:  
 DMW

Scale:  
 NTS

Drawing Number:

SHT. 1 OF 1

Issue Date:  
 02-15-2019

41050-04