

Model Number	Nominal (JO _n)		Nominal (SL _n)		Thermal Movement (JO _t)				Seismic Movement (JO _s)				Total (JO _t) Movement		Slide Plate Thickness (ST)	
					Minimum	Maximum	Minimum	Maximum	Minimum	Maximum	Minimum	Maximum				
SSD-800	8.00	203	14.00	356	4.00	102	12.00	305	2.67	68	12.00	305	9.33	237	0.375	10
SSD-900	9.00	229	17.00	432	4.50	114	13.50	343	3.00	76	13.50	343	10.50	267	0.375	10
SSD-1000	10.00	254	17.00	432	5.00	127	15.00	381	3.33	85	15.00	381	11.67	296	0.375	10
SSD-1100	11.00	279	20.00	508	5.50	140	15.00	381	3.67	93	16.50	419	12.83	326	0.5	13
SSD-1200	12.00	305	20.00	508	6.00	152	16.00	406	4.00	102	18.00	457	14.00	356	0.5	13

Base Angle Size	System Height (SH)	
3.5 x 1.75	3.00	76
3.5 x 2	3.25	83
3.5 x 2.25	3.5	89
3.5 x 2.5	3.75	95
3.5 x 2.75	4	102
3.5 x 3	4.25	108
3.5 x 3.25	4.5	114
3.5 x 3.5	4.75	121
3.5 x 3.75	5	127
3.5 x 4	5.25	133
3.5 x 4.25	5.5	140
3.5 x 4.5	5.75	146
3.5 x 4.75	6	152

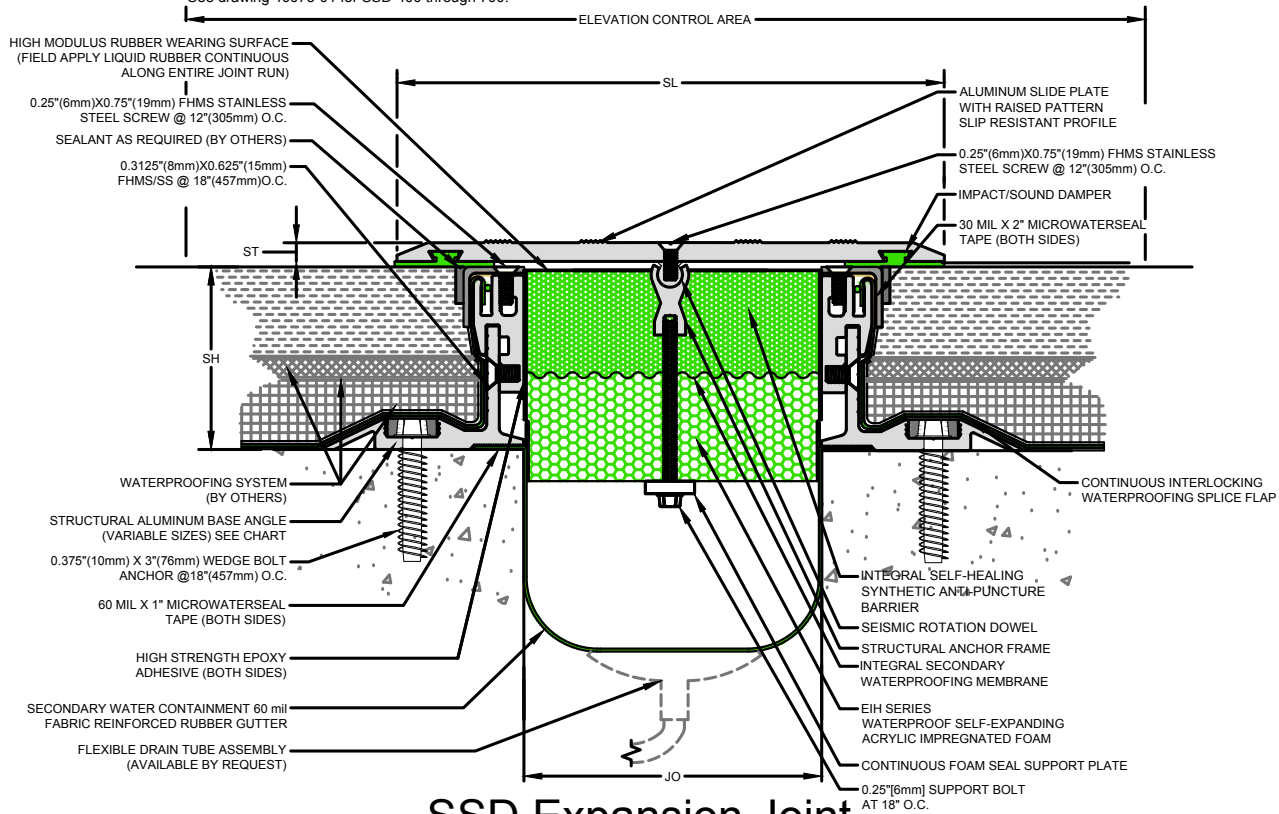
Dimension shown in inches (bold) and millimeters. JO = Joint Opening, SL = Sight Line. Color Options for rubber seals are Black or Special Order Gray.

Safety Max. - Safety Margin Movement capacity accommodates concrete shrinkage, vertical deflection and unexpected movement.

Waterproofing Membrane Compatibility - confirm with membrane manufacturer grade of rubber to be used on waterproofing splice flap.

Elevation Control Area - Surface areas two feet on each side of the expansion joint opening shall have identical elevations creating flush slab-to-slab transition.

See drawing 40075-01 for SSD-400 through 700.



SSD Expansion Joint
(Slab-to-Slab)



50 MM WAY
PENDERGRASS, GA. 30567
706-824-7500 PHONE
866-506-6929 TOLL FREE
FAX: 706-824-7501 FAX

www.mm-usa.com

For Spec-Data, Install Guides and other data visit www.mm-usa.com

RIGHTS OF DESIGN

All rights of design, detail, engineering and/or invention contained herein are the property of MM Systems Corporation and hereby reserved and are not to be reproduced or provided to any other party. MM Systems Corporation reserves the right to amend or withdraw any information contained herein without notice and will not be liable for any inaccuracy or ambiguity of said information.

Split Slab Dual Seismic Foam Seal Expansion Joint

SSD-800 through 1200 Series

Drawn by: DMW	Scale: NTS	Drawing Number: 40075-03
SHT. 1 OF 4	Issue Date: 06-23-2017	

Model Number	Nominal (JO _N)		Nominal (SL _N)		Thermal Movement (JO _T)		Seismic Movement (JO _S)		Total (JO _T)		Slide Plate					
	Minimum	Maximum	Minimum	Maximum	Minimum	Maximum	Minimum	Maximum	Minimum	Maximum	Thickness (ST)					
SSD-800	8.00	203	14.00	356	4.00	102	12.00	305	2.67	68	12.00	305	9.33	237	0.375	10
SSD-900	9.00	229	17.00	432	4.50	114	13.50	343	3.00	76	13.50	343	10.50	267	0.375	10
SSD-1000	10.00	254	17.00	432	5.00	127	15.00	381	3.33	85	15.00	381	11.67	296	0.375	10
SSD-1100	11.00	279	20.00	508	5.50	140	15.00	381	3.67	93	16.50	419	12.83	326	0.5	13
SSD-1200	12.00	305	20.00	508	6.00	152	16.00	406	4.00	102	18.00	457	14.00	356	0.5	13

Dimension shown in inches (bold) and millimeters. JO = Joint Opening, SL = Sight Line. Color Options for rubber seals are Black or Special Order Gray.

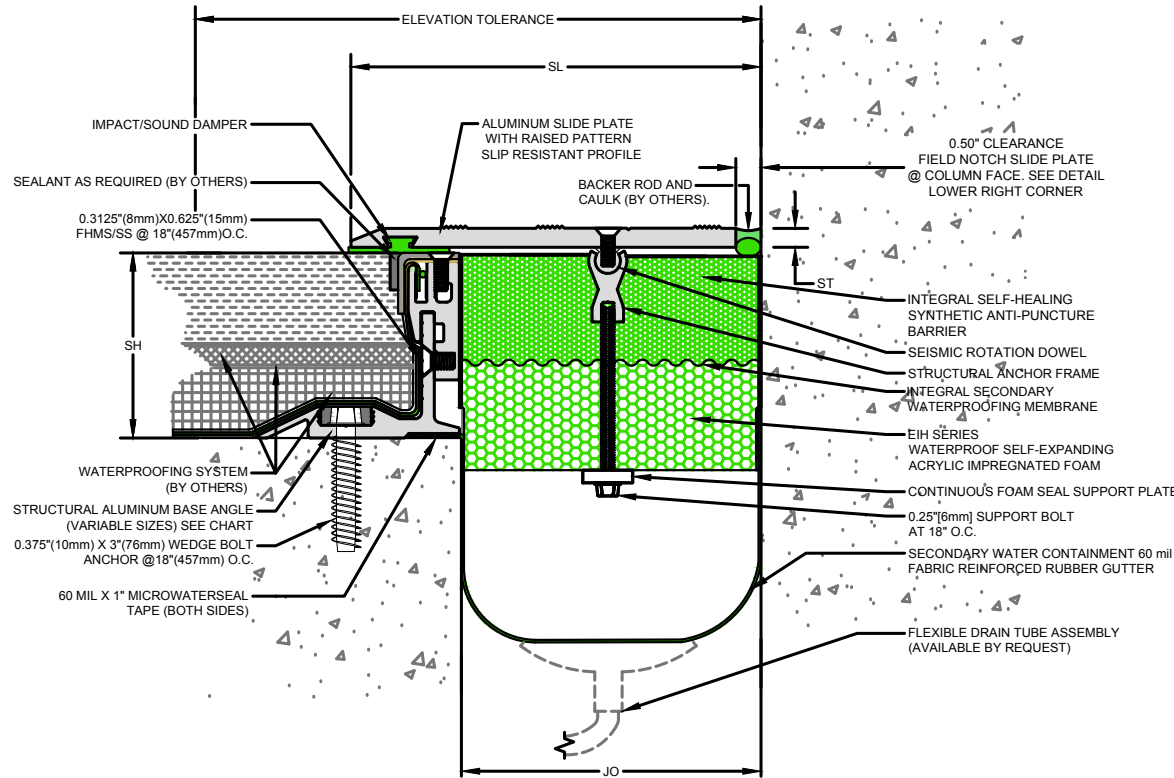
Safety Max. - Safety Margin Movement capacity accommodates concrete shrinkage, vertical deflection and unexpected movement.

Waterproofing Membrane Compatibility - confirm with membrane manufacturer grade of rubber to be used on waterproofing splice flap.

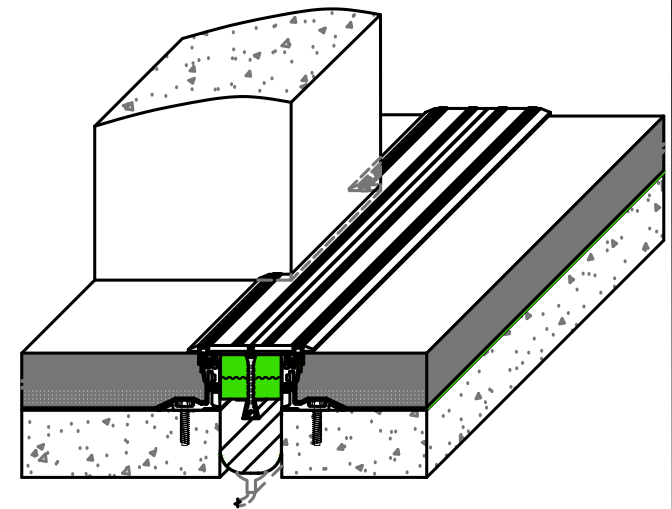
Elevation Control Area - Surface areas two feet on each side of the expansion joint opening shall have identical elevations creating flush slab-to-slab transition.

See drawing 40075-01 for SSD-400 through 700.

Base Angle Size	System	
	Height (SH)	
3.5 x 1.75	3.00	76
3.5 x 2	3.25	83
3.5 x 2.25	3.5	89
3.5 x 2.5	3.75	95
3.5 x 2.75	4	102
3.5 x 3	4.25	108
3.5 x 3.25	4.5	114
3.5 x 3.5	4.75	121
3.5 x 3.75	5	127
3.5 x 4	5.25	133
3.5 x 4.25	5.5	140
3.5 x 4.5	5.75	146
3.5 x 4.75	6	152



SSD Expansion Joint
(Slab-to-Column)



50 MM WAY
PENDERGRASS, GA. 30567
706-824-7500 PHONE
866-506-6929 TOLL FREE
FAX: 706-824-7501 FAX

www.mm-usa.com

For Spec-Data, Install Guides and other data visit www.mm-usa.com

RIGHTS OF DESIGN

All rights of design, detail, engineering and/or invention contained herein are the property of MM Systems Corporation and hereby reserved and are not to be reproduced or provided to any other party. MM Systems Corporation reserves the right to amend or withdraw any information contained herein without notice and will not be liable for any inaccuracy or ambiguity of said information.

Split Slab Dual Seismic Foam Seal Expansion Joint

SSD-800 through 1200 Series

Drawn by:

DMW

Scale:

NTS

Drawing Number:

SHT. 2 OF 4

Issue Date:
06-23-2017

40075-03

Model Number	Nominal (JO _n)		Nominal (SL _n)		Thermal Movement (JO _t)		Seismic Movement (JO _s)		Total (JO _t)		Slide Plate					
	Minimum	Maximum	Minimum	Maximum	Minimum	Maximum	Minimum	Maximum	Minimum	Maximum	Thickness (ST)					
SSD-800	8.00	203	14.00	356	4.00	102	12.00	305	2.67	68	12.00	305	9.33	237	0.375	10
SSD-900	9.00	229	17.00	432	4.50	114	13.50	343	3.00	76	13.50	343	10.50	267	0.375	10
SSD-1000	10.00	254	17.00	432	5.00	127	15.00	381	3.33	85	15.00	381	11.67	296	0.375	10
SSD-1100	11.00	279	20.00	508	5.50	140	15.00	381	3.67	93	16.50	419	12.83	326	0.5	13
SSD-1200	12.00	305	20.00	508	6.00	152	16.00	406	4.00	102	18.00	457	14.00	356	0.5	13

Base Angle Size	System Height (SH)	
	Size	Height (SH)
3.5 x 1.75	3.00	76
3.5 x 2	3.25	83
3.5 x 2.25	3.5	89
3.5 x 2.5	3.75	95
3.5 x 2.75	4	102
3.5 x 3	4.25	108
3.5 x 3.25	4.5	114
3.5 x 3.5	4.75	121
3.5 x 3.75	5	127
3.5 x 4	5.25	133
3.5 x 4.25	5.5	140
3.5 x 4.5	5.75	146
3.5 x 4.75	6	152

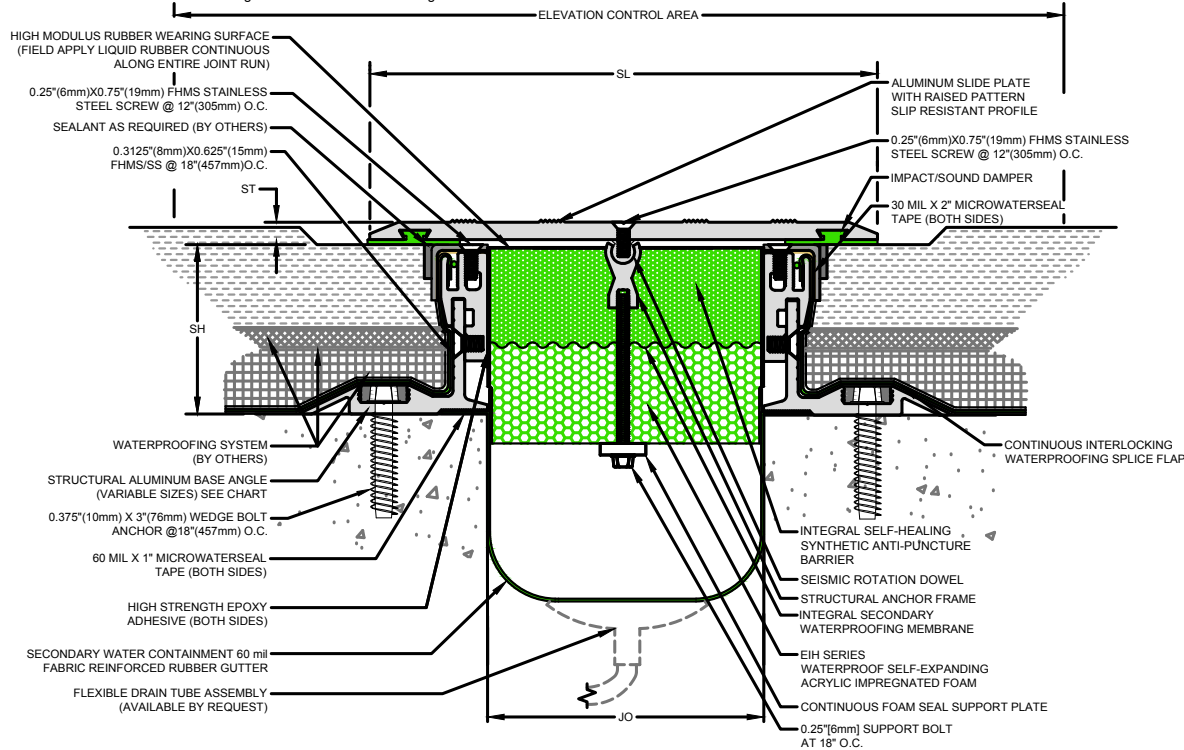
Dimension shown in inches (bold) and millimeters. JO = Joint Opening, SL = Sight Line. Color Options for rubber seals are Black or Special Order Gray.

Safety Max. - Safety Margin Movement capacity accommodates concrete shrinkage, vertical deflection and unexpected movement.

Waterproofing Membrane Compatibility - confirm with membrane manufacturer grade of rubber to be used on waterproofing splice flap.

Elevation Control Area - Surface areas two feet on each side of the expansion joint opening shall have identical elevations creating flush slab-to-slab transition.

See drawing 40075-01 for SSD-400 through 700.



SSD Recessed Expansion Joint
(Slab-to-Slab)



50 MM WAY
PENDERGRASS, GA. 30567
706-824-7500 PHONE
866-506-6929 TOLL FREE
FAX: 706-824-7501 FAX

www.mm-usa.com

For Spec-Data, Install Guides and other data visit www.mm-usa.com

RIGHTS OF DESIGN

All rights of design, detail, engineering and/or invention contained herein are the property of MM Systems Corporation and hereby reserved and are not to be reproduced or provided to any other party. MM Systems Corporation reserves the right to amend or withdraw any information contained herein without notice and will not be liable for any inaccuracy or ambiguity of said information.

Split Slab Dual Seismic Foam Seal Expansion Joint

SSD-800 through 1200 Series

Drawn by: DMW	Scale: NTS	Drawing Number:
SHT. 1 OF 4	Issue Date: 06-23-2017	40075-03

Model Number	Nominal (JO _n)		Nominal (SL _n)		Thermal Movement (JO _t)		Seismic Movement (JO _s)		Total (JO _t)		Slide Plate					
	Minimum	Maximum	Minimum	Maximum	Minimum	Maximum	Minimum	Maximum	Minimum	Maximum	Thickness (ST)					
SSD-800	8.00	203	14.00	356	4.00	102	12.00	305	2.67	68	12.00	305	9.33	237	0.375	10
SSD-900	9.00	229	17.00	432	4.50	114	13.50	343	3.00	76	13.50	343	10.50	267	0.375	10
SSD-1000	10.00	254	17.00	432	5.00	127	15.00	381	3.33	85	15.00	381	11.67	296	0.375	10
SSD-1100	11.00	279	20.00	508	5.50	140	15.00	381	3.67	93	16.50	419	12.83	326	0.5	13
SSD-1200	12.00	305	20.00	508	6.00	152	16.00	406	4.00	102	18.00	457	14.00	356	0.5	13

Dimension shown in inches (bold) and millimeters. JO = Joint Opening. SL = Sight Line. Color Options for rubber seals are Black or Special Order Gray.

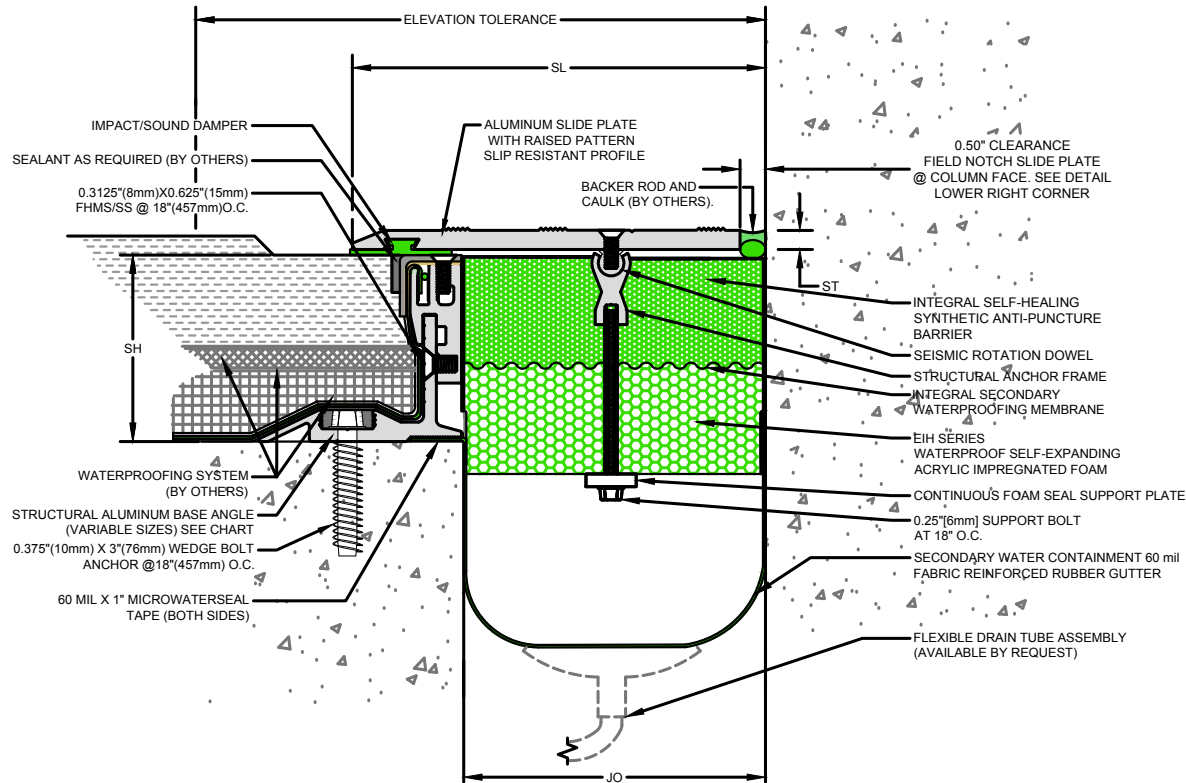
Safety Max. - Safety Margin Movement capacity accommodates concrete shrinkage, vertical deflection and unexpected movement.

Waterproofing Membrane Compatibility - confirm with membrane manufacturer grade of rubber to be used on waterproofing splice flap.

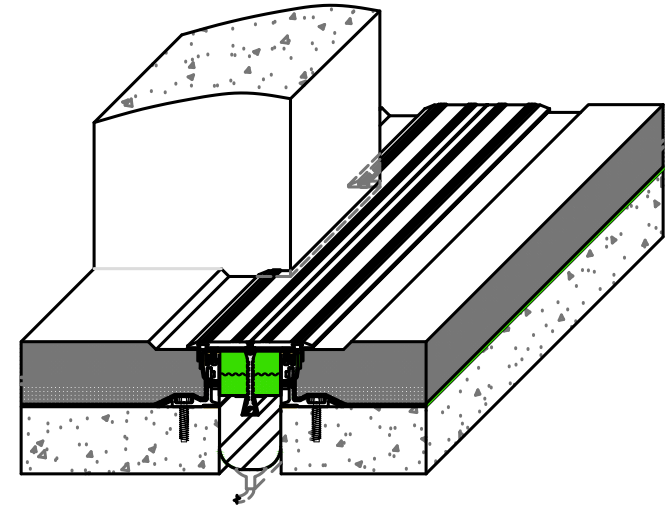
Elevation Control Area - Surface areas two feet on each side of the expansion joint opening shall have identical elevations creating flush slab-to-slab transition.

See drawing 40075-01 for SSD-400 through 700.

Base Angle Size	System Height (SH)	
	Size	Height (SH)
3.5 x 1.75	3.00	76
3.5 x 2	3.25	83
3.5 x 2.25	3.5	89
3.5 x 2.5	3.75	95
3.5 x 2.75	4	102
3.5 x 3	4.25	108
3.5 x 3.25	4.5	114
3.5 x 3.5	4.75	121
3.5 x 3.75	5	127
3.5 x 4	5.25	133
3.5 x 4.25	5.5	140
3.5 x 4.5	5.75	146
3.5 x 4.75	6	152



SSD Recessed Expansion Joint
(Slab-to-Column)



50 MM WAY
PENDERGRASS, GA. 30567
706-824-7500 PHONE
866-506-6929 TOLL FREE
FAX: 706-824-7501 FAX

www.mm-usa.com

For Spec-Data, Install Guides and other data visit www.mm-usa.com

RIGHTS OF DESIGN

All rights of design, detail, engineering and/or invention contained herein are the property of MM Systems Corporation and hereby reserved and are not to be reproduced or provided to any other party. MM Systems Corporation reserves the right to amend or withdraw any information contained herein without notice and will not be liable for any inaccuracy or ambiguity of said information.

Split Slab Dual Seismic Foam Seal Expansion Joint

SSD-800 through 1200 Recessed Series

Drawn by: DMW	Scale: NTS	Drawing Number: 40075-03
SHT. 4 OF 4	Issue Date: 06-23-2017	