

Model Number	Nominal (JO _n)		Nominal (SL _n)		Thermal Movement (JO _t)		Seismic Movement (JO _s)		Total (JO _t)		Slide Plate Thickness (ST)					
					Minimum	Maximum	Minimum	Maximum	Minimum	Maximum						
SSD-400	4.00	102	8.00	203	2.00	51	6.00	152	1.33	34	6.00	152	4.67	119	0.375	10
SSD-500	5.00	127	11.00	279	2.50	64	7.50	191	1.67	42	7.50	191	5.83	148	0.375	10
SSD-600	6.00	152	11.00	279	3.00	76	9.00	229	2.00	51	9.00	229	7.00	178	0.375	10
SSD-700	7.00	178	14.00	356	3.50	89	10.50	267	2.33	59	10.50	267	8.17	208	0.375	10

Base Angle Size	System Height (SH)	
3.5 x 1.75	3.00	76
3.5 x 2	3.25	83
3.5 x 2.25	3.5	89
3.5 x 2.5	3.75	95
3.5 x 2.75	4	102
3.5 x 3	4.25	108
3.5 x 3.25	4.5	114
3.5 x 3.5	4.75	121
3.5 x 3.75	5	127
3.5 x 4	5.25	133
3.5 x 4.25	5.5	140
3.5 x 4.5	5.75	146
3.5 x 4.75	6	152

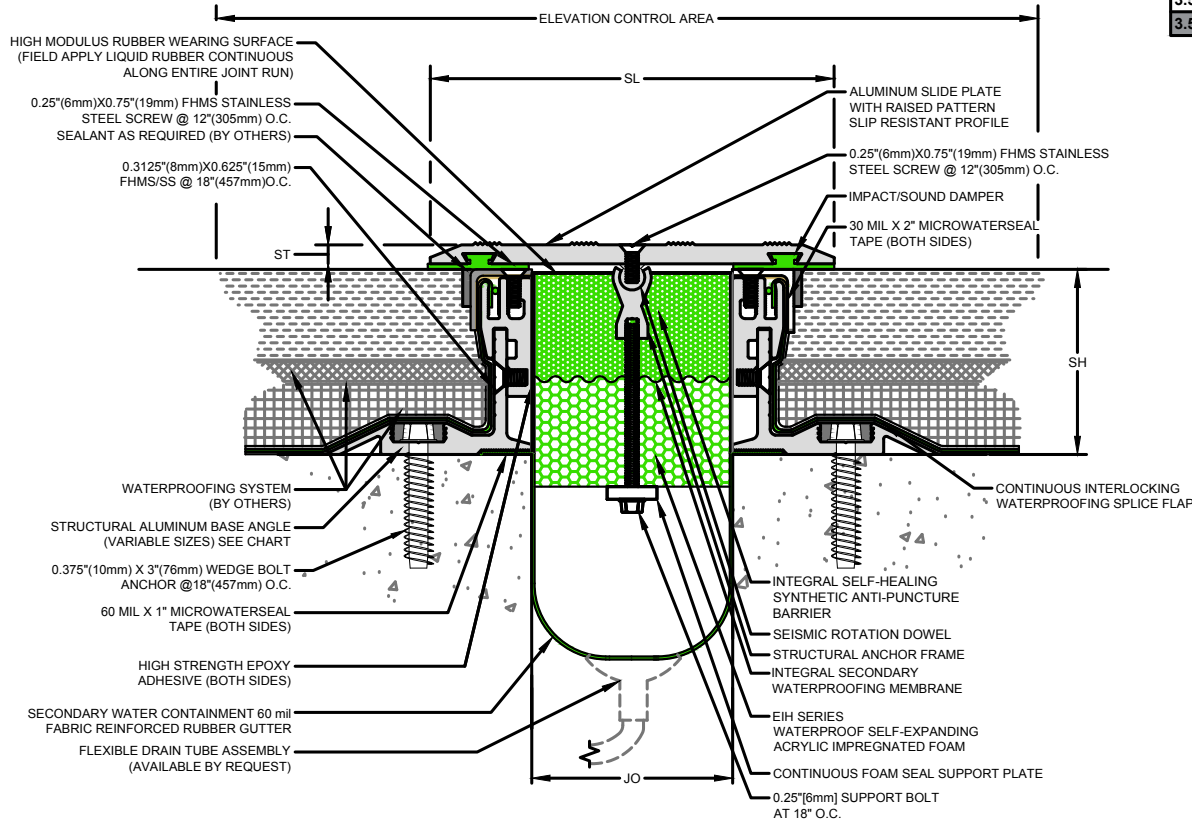
Dimension shown in inches (bold) and millimeters. JO = Joint Opening. SL = Sight Line. Color Options for rubber seals are Black or Special Order Gray.

Safety Max. - Safety Margin Movement capacity accommodates concrete shrinkage, vertical deflection and unexpected movement.

Waterproofing Membrane Compatibility - confirm with membrane manufacturer grade of rubber to be used on waterproofing splice flap.

Elevation Control Area - Surface areas two feet on each side of the expansion joint opening shall have identical elevations creating flush slab-to-slab transition.

See drawing 40075-03 for SSD-800 through 1200.



SSD Expansion Joint
(Slab-to-Slab)



50 MM WAY
PENDERGRASS, GA. 30567
706-824-7500 PHONE
866-506-6929 TOLL FREE
FAX: 706-824-7501 FAX

www.mm-usa.com

For Spec-Data, Install Guides and other data visit www.mm-usa.com

RIGHTS OF DESIGN

All rights of design, detail, engineering and/or invention contained herein are the property of MM Systems Corporation and hereby reserved and are not to be reproduced or provided to any other party. MM Systems Corporation reserves the right to amend or withdraw any information contained herein without notice and will not be liable for any inaccuracy or ambiguity of said information.

Split Slab Dual Seismic Foam Seal Expansion Joint

SSD-400 through 700 Series

Drawn by:

DMW

Scale:

NTS

Drawing Number:

SHT. 1 OF 4

Issue Date:
06-23-2017

40075-01

Model Number	Nominal (JO _N)		Nominal (SL _N)		Thermal Movement (JO _T)				Seismic Movement (JO _S)				Total (JO _T) Movement		Slide Plate Thickness (ST)	
	Minimum	Maximum	Minimum	Maximum	Minimum	Maximum	Minimum	Maximum	Minimum	Maximum	Minimum	Maximum	Minimum	Maximum	Minimum	Maximum
SSD-400	4.00	102	8.00	203	2.00	51	6.00	152	1.33	34	6.00	152	4.67	119	0.375	10
SSD-500	5.00	127	11.00	279	2.50	64	7.50	191	1.67	42	7.50	191	5.83	148	0.375	10
SSD-600	6.00	152	11.00	279	3.00	76	9.00	229	2.00	51	9.00	229	7.00	178	0.375	10
SSD-700	7.00	178	14.00	356	3.50	89	10.50	267	2.33	59	10.50	267	8.17	208	0.375	10

Base Angle Size	System Height (SH)	
3.5 x 1.75	3.00	76
3.5 x 2	3.25	83
3.5 x 2.25	3.5	89
3.5 x 2.5	3.75	95
3.5 x 2.75	4	102
3.5 x 3	4.25	108
3.5 x 3.25	4.5	114
3.5 x 3.5	4.75	121
3.5 x 3.75	5	127
3.5 x 4	5.25	133
3.5 x 4.25	5.5	140
3.5 x 4.5	5.75	146
3.5 x 4.75	6	152

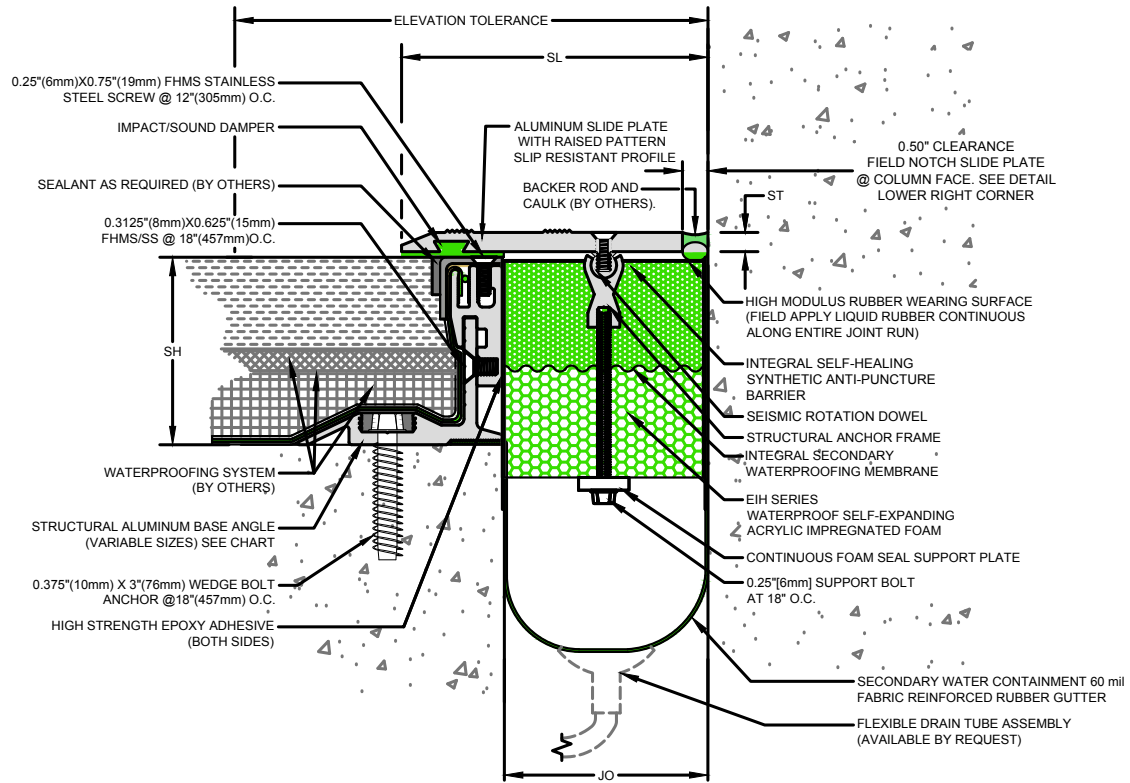
Dimension shown in inches (bold) and millimeters. JO = Joint Opening. SL = Sight Line. Color Options for rubber seals are Black or Special Order Gray.

Safety Max. - Safety Margin Movement capacity accommodates concrete shrinkage, vertical deflection and unexpected movement.

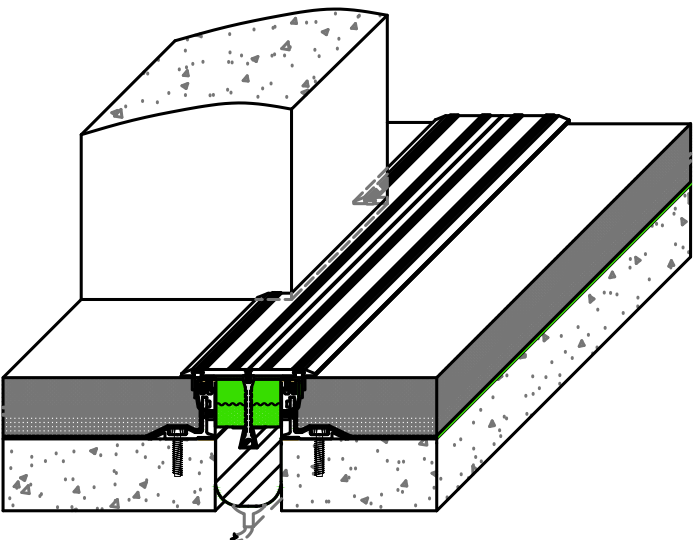
Waterproofing Membrane Compatibility - confirm with membrane manufacturer grade of rubber to be used on waterproofing splice flap.

Elevation Control Area - Surface areas two feet on each side of the expansion joint opening shall have identical elevations creating flush slab-to-slab transition.

See drawing 40075-03 for SSD-800 through 1200.



SSD Expansion Joint
(Slab-to-Column)



50 MM WAY
PENDERGRASS, GA. 30567
706-824-7500 PHONE
866-506-6929 TOLL FREE
FAX: 706-824-7501 FAX

www.mm-usa.com

For Spec-Data, Install Guides and other data visit www.mm-usa.com

RIGHTS OF DESIGN

All rights of design, detail, engineering and/or invention contained herein are the property of MM Systems Corporation and hereby reserved and are not to be reproduced or provided to any other party. MM Systems Corporation reserves the right to amend or withdraw any information contained herein without notice and will not be liable for any inaccuracy or ambiguity of said information.

Split Slab Dual Seismic Foam Seal Expansion Joint

SSD-400 through 700 Series

Drawn by: DMW	Scale: NTS	Drawing Number:
SHT. 2 OF 4	Issue Date: 06-23-2017	40075-01

Model Number	Nominal (JO _n)		Nominal (SL _n)		Thermal Movement (JO _t)				Seismic Movement (JO _s)				Total (JO _t)		Slide Plate Thickness (ST)	
	Minimum	Maximum	Minimum	Maximum	Minimum	Maximum	Minimum	Maximum	Minimum	Maximum	Minimum	Maximum	Minimum	Maximum	Minimum	Maximum
SSD-400	4.00	102	8.00	203	2.00	51	6.00	152	1.33	34	6.00	152	4.67	119	0.375	10
SSD-500	5.00	127	11.00	279	2.50	64	7.50	191	1.67	42	7.50	191	5.83	148	0.375	10
SSD-600	6.00	152	11.00	279	3.00	76	9.00	229	2.00	51	9.00	229	7.00	178	0.375	10
SSD-700	7.00	178	14.00	356	3.50	89	10.50	267	2.33	59	10.50	267	8.17	208	0.375	10

Dimension shown in inches (bold) and millimeters. JO = Joint Opening. SL = Sight Line. Color Options for rubber seals are Black or Special Order Gray.

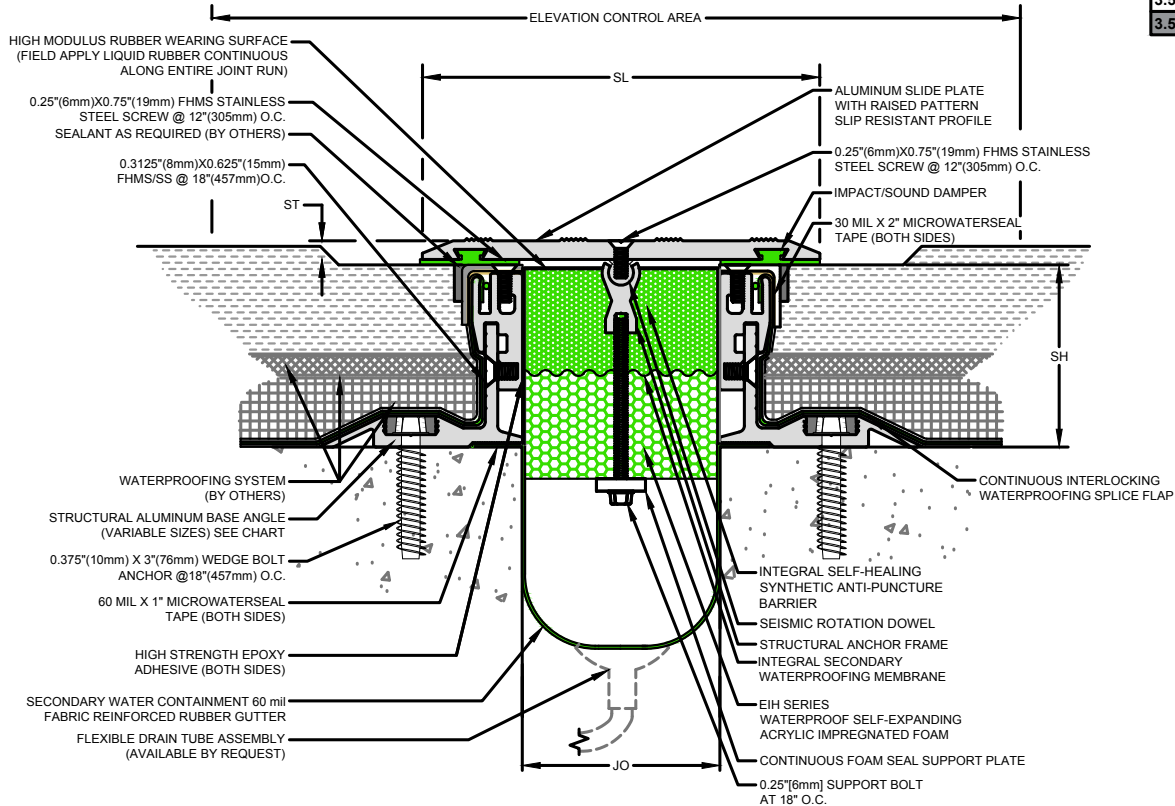
Safety Max. - Safety Margin Movement capacity accommodates concrete shrinkage, vertical deflection and unexpected movement.

Waterproofing Membrane Compatibility - confirm with membrane manufacturer grade of rubber to be used on waterproofing splice flap.

Elevation Control Area - Surface areas two feet on each side of the expansion joint opening shall have identical elevations creating flush slab-to-slab transition.

See drawing 40075-03 for SSD-800 through 1200.

Base Angle Size	System Height (SH)	
3.5 x 1.75	3.00	76
3.5 x 2	3.25	83
3.5 x 2.25	3.5	89
3.5 x 2.5	3.75	95
3.5 x 2.75	4	102
3.5 x 3	4.25	108
3.5 x 3.25	4.5	114
3.5 x 3.5	4.75	121
3.5 x 3.75	5	127
3.5 x 4	5.25	133
3.5 x 4.25	5.5	140
3.5 x 4.5	5.75	146
3.5 x 4.75	6	152



SSD Recessed Expansion Joint
(Slab-to-Slab)



50 MM WAY
PENDERGRASS, GA. 30567
706-824-7500 PHONE
866-506-6929 TOLL FREE
FAX: 706-824-7501 FAX

www.mm-usa.com

For Spec-Data, Install Guides and other data visit www.mm-usa.com

RIGHTS OF DESIGN

All rights of design, detail, engineering and/or invention contained herein are the property of MM Systems Corporation and hereby reserved and are not to be reproduced or provided to any other party. MM Systems Corporation reserves the right to amend or withdraw any information contained herein without notice and will not be liable for any inaccuracy or ambiguity of said information.

Split Slab Dual Seismic Foam Seal Expansion Joint

SSD-400 through 700 Recessed Series

Drawn by:
DMW

SHT. 3 OF 4

Scale:
NTS

Issue Date:
06-23-2017

Drawing Number:

40075-01

Model Number	Nominal (JO _s)		Nominal (SL _s)		Thermal Movement (JO _t)			Seismic Movement (JO _s)			Total (JO _s) Movement		Slide Plate Thickness (ST)			
	Minimum	Maximum	Minimum	Maximum	Minimum	Maximum	Minimum	Maximum	Minimum	Maximum	Minimum	Maximum	Minimum	Maximum		
SSD-400	4.00	102	8.00	203	2.00	51	6.00	152	1.33	34	6.00	152	4.67	119	0.375	10
SSD-500	5.00	127	11.00	279	2.50	64	7.50	191	1.67	42	7.50	191	5.83	148	0.375	10
SSD-600	6.00	152	11.00	279	3.00	76	9.00	229	2.00	51	9.00	229	7.00	178	0.375	10
SSD-700	7.00	178	14.00	356	3.50	89	10.50	267	2.33	59	10.50	267	8.17	208	0.375	10

Dimension shown in inches (bold) and millimeters. JO = Joint Opening. SL = Sight Line. Color Options for rubber seals are Black or Special Order Gray.

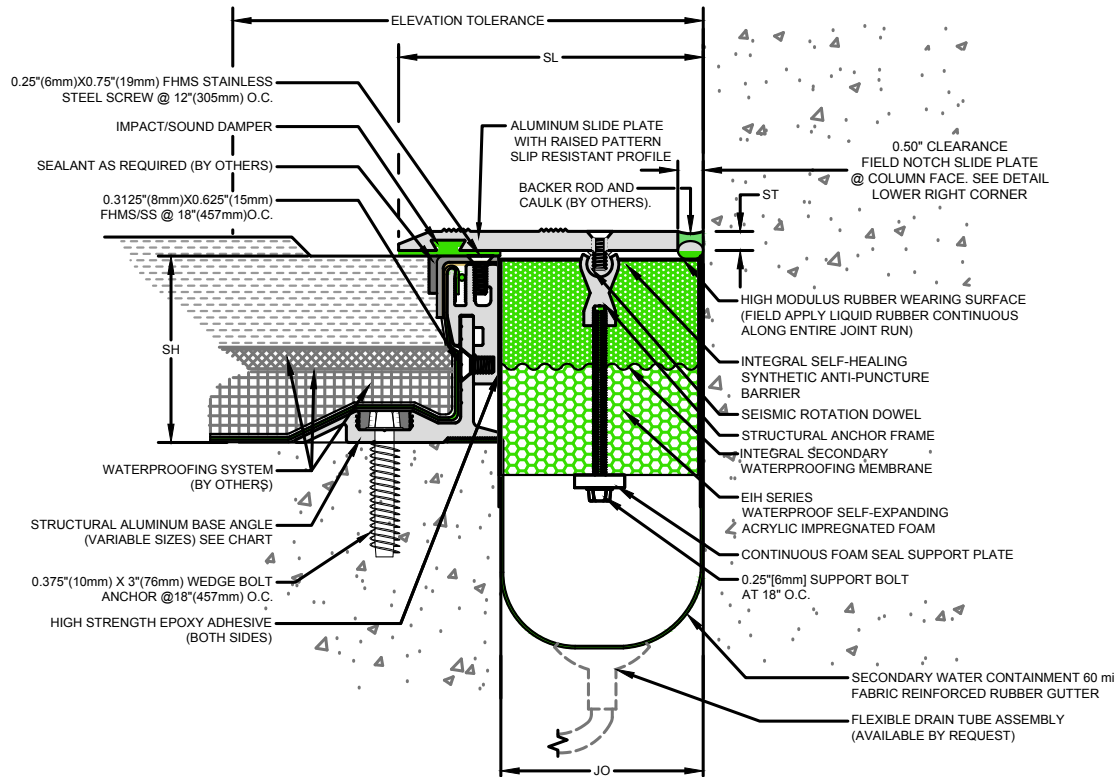
Safety Max. - Safety Margin Movement capacity accommodates concrete shrinkage, vertical deflection and unexpected movement.

Waterproofing Membrane Compatibility - confirm with membrane manufacturer grade of rubber to be used on waterproofing splice flap.

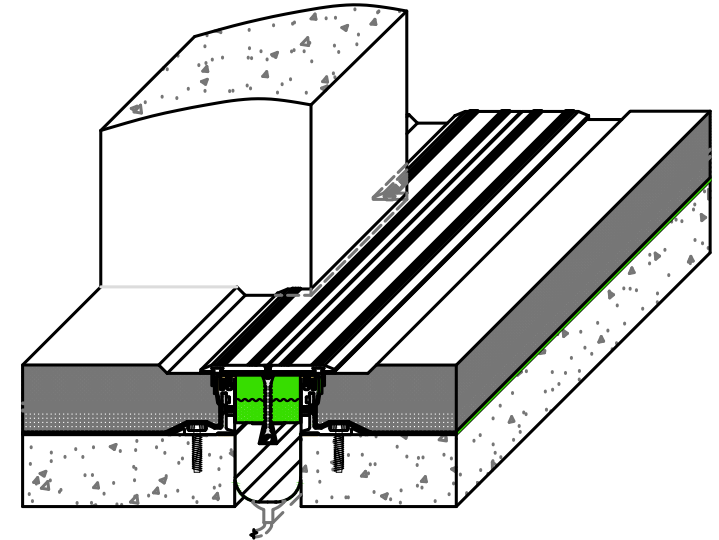
Elevation Control Area - Surface areas two feet on each side of the expansion joint opening shall have identical elevations creating flush slab-to-slab transition.

See drawing 40075-03 for SSD-800 through 1200.

Base Angle Size	System Height (SH)	
	Size	Height (SH)
3.5 x 1.75	3.00	76
3.5 x 2	3.25	83
3.5 x 2.25	3.5	89
3.5 x 2.5	3.75	95
3.5 x 2.75	4	102
3.5 x 3	4.25	108
3.5 x 3.25	4.5	114
3.5 x 3.5	4.75	121
3.5 x 3.75	5	127
3.5 x 4	5.25	133
3.5 x 4.25	5.5	140
3.5 x 4.5	5.75	146
3.5 x 4.75	6	152



SSD Recessed Expansion Joint
(Slab-to-Column)



50 MM WAY
PENDERGRASS, GA. 30567
706-824-7500 PHONE
866-506-6929 TOLL FREE
FAX: 706-824-7501 FAX

www.mm-usa.com

For Spec-Data, Install Guides and other data visit www.mm-usa.com

RIGHTS OF DESIGN

All rights of design, detail, engineering and/or invention contained herein are the property of MM Systems Corporation and hereby reserved and are not to be reproduced or provided to any other party. MM Systems Corporation reserves the right to amend or withdraw any information contained herein without notice and will not be liable for any inaccuracy or ambiguity of said information.

Split Slab Dual Seismic Foam Seal Expansion Joint

SSD-400 through 700 Recessed Series

Drawn by:

DMW

Scale:

NTS

Drawing Number:

SHT. 4 OF 4

Issue Date:

06-23-2017

40075-01