

SELF-EXPANDING FIRE RATED
MICRO-CELL FOAM
(FACTORY PRE-COMPRESSED
TO LESS THAN NOMINAL)

INTEGRAL SMOKE
SHIELD

EPOXY SIDEWALL
ADHESIVE
(BOTH SIDES)

SILICONE FILLET BEAD
(USE ON IRREGULAR
SUBSTRATES)

DOUBLE SIDE SILICONE
SURFACE SEAL
FACTORY APPLIED
(AVAILABLE IN
VARIOUS COLORS)

JO
(see chart pg.3)

CEMENT BOARD BOTH SIDES
(3/8" HARDIEBACKER /
JAMES HARDIE OR PERMABASE /
NATIONAL GYPSUM)

SD

0.25"
[6mm]

SIF-FR-3D SERIES
3 HOUR FIRE RATED
EXPANSION JOINT

GYPSUM with CEMENT
BOARD SHOWN, CMU BLOCK
AND CONCRETE WALL DETAILS
(APPROVED SUBSTRATES)
AVAILABLE

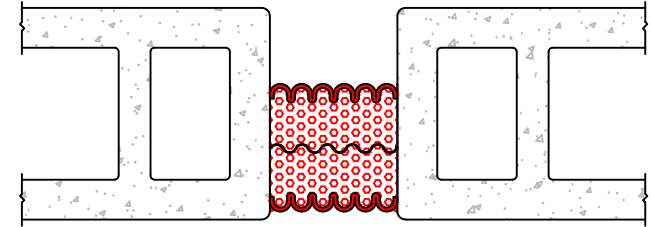


LISTING DESIGN
(see page 3 chart)

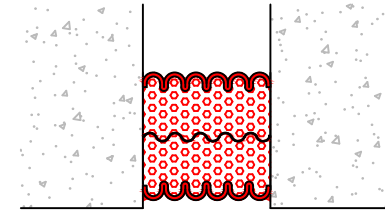
IMPORTANT LIFE SAFETY PRODUCT NOTE
3-HOUR FOAM SEAL FIRE BARRIER MUST BE INSTALLED
IN A PROPERLY CONSTRUCTED 3-HOUR RATED WALL
ASSEMBLY WITH A MINIMUM WALL THICKNESS OF
4.5-INCHES AT THE JOINT FACE. BARRIERS MUST BE
INSTALLED IN STRICT ACCORDANCE WITH
MM SYSTEMS PRODUCT INSTALLATION INSTRUCTIONS.
CONTRACTOR MUST VERIFY PRIOR TO FABRICATION.

**SIF-FR-3D Series
3 Hour Fire Rated Expansion Joint
Wall-to-Wall (Double Side Silicone)**

APPROVED SUBSTRATES



CMU BLOCK



CONCRETE WALL



50 MM WAY
PENDERGRASS, GA. 30567
706-824-7500 PHONE
800-241-3460 TOLL FREE
706-824-7501 FAX

www.mm.systems

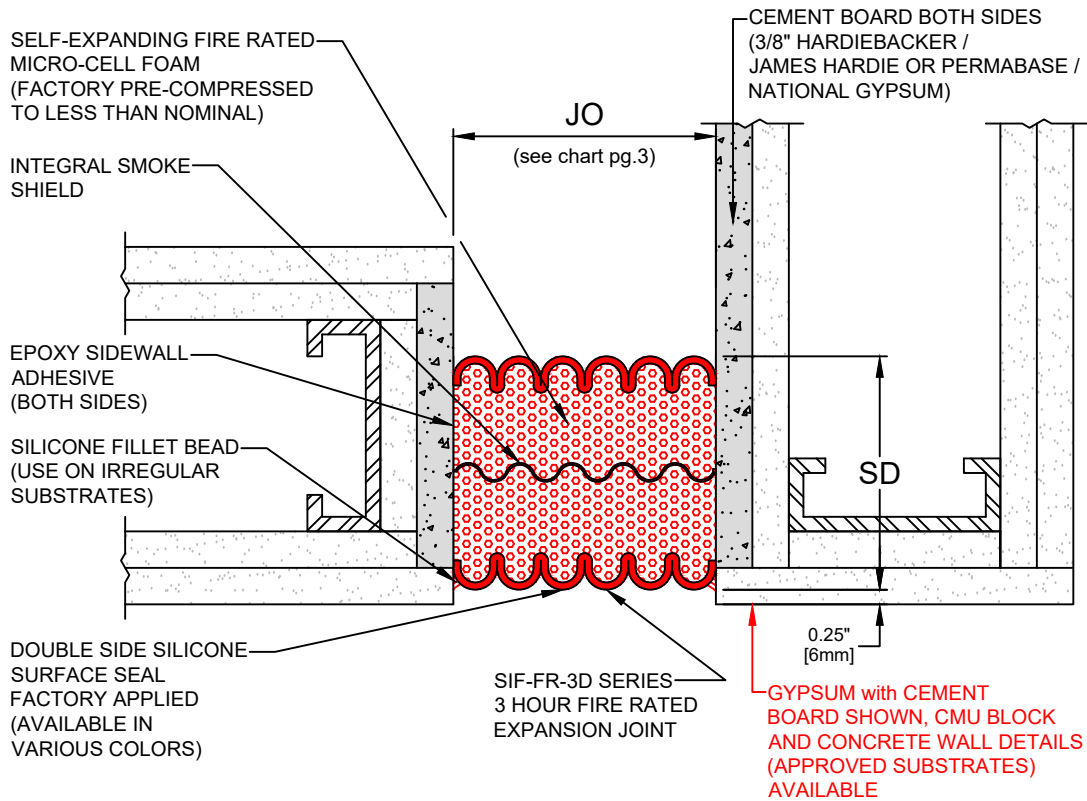
For Spec-Data, Install Guides, and other data visit www.mm-usa.com

RIGHTS OF DESIGN

All rights of design, detail, engineering and/or
invention contained herein are the property of
MM Systems and hereby reserved and are not to be
reproduced or provided to any other party.
MM Systems reserves the right to amend or withdraw
any information contained herein without notice and
will not be liable for any inaccuracy or ambiguity of
said information.

**Silicone Impregnated Foam - 3 Hour Fire Rated Expansion Joint
SIF-FR-3D Series**

Drawn by: MVP	Scale: NTS	Drawing Number:
SHT. 1 OF 3	Issue Date: 11/20/2020	30753-01



SELF-EXPANDING FIRE RATED MICRO-CELL FOAM (FACTORY PRE-COMPRESSED TO LESS THAN NOMINAL)

INTEGRAL SMOKE SHIELD

EPOXY SIDEWALL ADHESIVE (BOTH SIDES)

SILICONE FILLET BEAD (USE ON IRREGULAR SUBSTRATES)

DOUBLE SIDE SILICONE SURFACE SEAL FACTORY APPLIED (AVAILABLE IN VARIOUS COLORS)

SIF-FR-3D SERIES 3 HOUR FIRE RATED EXPANSION JOINT

CEMENT BOARD BOTH SIDES (3/8" HARDIEBACKER / JAMES HARDIE OR PERMABASE / NATIONAL GYPSUM)

SD

0.25" [6mm]

GYPSUM with CEMENT BOARD SHOWN, CMU BLOCK AND CONCRETE WALL DETAILS (APPROVED SUBSTRATES) AVAILABLE

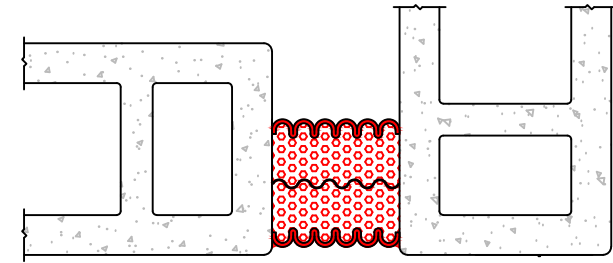


LISTING DESIGN (see page 3 chart)

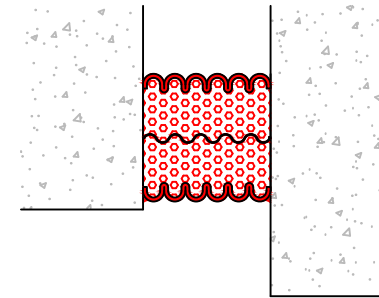
IMPORTANT LIFE SAFETY PRODUCT NOTE
 3-HOUR FOAM SEAL FIRE BARRIER MUST BE INSTALLED IN A PROPERLY CONSTRUCTED 3-HOUR RATED WALL ASSEMBLY WITH A MINIMUM WALL THICKNESS OF 4.5-INCHES AT THE JOINT FACE. BARRIERS MUST BE INSTALLED IN STRICT ACCORDANCE WITH MM SYSTEMS PRODUCT INSTALLATION INSTRUCTIONS. CONTRACTOR MUST VERIFY PRIOR TO FABRICATION.

**SIF-FR-3D Series
 3 Hour Fire Rated Expansion Joint
 Wall-to-Corner (Double Side Silicone)**

APPROVED SUBSTRATES



CMU BLOCK



CONCRETE WALL



50 MM WAY
 PENDERGRASS, GA. 30567
 706-824-7500 PHONE
 800-241-3460 TOLL FREE
 706-824-7501 FAX

www.mm.systems

For Spec-Data, Install Guides, and other data visit www.mm-usa.com

RIGHTS OF DESIGN

All rights of design, detail, engineering and/or invention contained herein are the property of MM Systems and hereby reserved and are not to be reproduced or provided to any other party. MM Systems reserves the right to amend or withdraw any information contained herein without notice and will not be liable for any inaccuracy or ambiguity of said information.

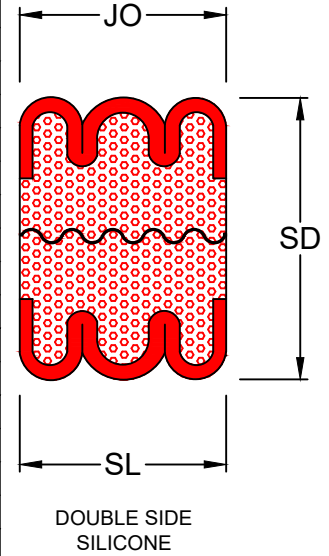
Silicone Impregnated Foam - 3 Hour Fire Rated Expansion Joint

SIF-FR-3D Series

Drawn by: MVP	Scale: NTS	Drawing Number:
SHT. 2 OF 3	Issue Date: 11/20/2020	30753-02

(SIF-FR-3D) FIRE RATED SERIES EXPANSION JOINT MOVEMENT CHART

Model Number	UL Listing	Joint Opening (JO ^N)		Thermal / Seismic Movement (JO ^T)				Total (JO ^A)		Lateral Shear		Vertical Displacement		Seal Depth (SD)	
		Nominal		Minimum		Maximum		Movement							
SIF-FR-050-3D	WW-D-1231	0.50	13	0.250	6	0.750	19	0.50	13	0.50	13	0.50	13	4.00	102
SIF-FR-063-3D	WW-D-1231	0.63	16	0.315	8	0.945	24	0.63	16	0.63	16	0.63	16	4.00	102
SIF-FR-075-3D	WW-D-1231	0.75	19	0.375	10	1.125	29	0.75	19	0.75	19	0.75	19	4.00	102
SIF-FR-100-3D	WW-D-1231	1.00	25	0.500	13	1.500	38	1.00	25	1.00	25	1.00	25	4.00	102
SIF-FR-125-3D	WW-D-1231	1.25	32	0.625	16	1.875	48	1.25	32	1.25	32	1.25	32	4.00	102
SIF-FR-150-3D	WW-D-1231	1.50	38	0.750	19	2.250	57	1.50	38	1.50	38	1.50	38	4.00	102
SIF-FR-175-3D	WW-D-1231	1.75	44	0.875	22	2.625	67	1.75	44	1.75	44	1.75	44	4.00	102
SIF-FR-200-3D	WW-D-1231	2.00	51	1.000	25	3.000	76	2.00	51	2.00	51	2.00	51	4.00	102
SIF-FR-225-3D	WW-D-1231	2.25	57	1.125	29	3.375	86	2.25	57	2.25	57	2.25	57	4.00	102
SIF-FR-250-3D	WW-D-1231	2.50	64	1.250	32	3.750	95	2.50	64	2.50	64	2.50	64	4.00	102
SIF-FR-275-3D	WW-D-1231	2.75	70	1.375	35	4.125	105	2.75	70	2.75	70	2.75	70	4.00	102
SIF-FR-300-3D	WW-D-1231	3.00	76	1.500	38	4.500	114	3.00	76	3.00	76	3.00	76	4.00	102
SIF-FR-325-3D	WW-D-1231	3.25	83	1.625	41	4.875	124	3.25	83	3.25	83	3.25	83	4.00	102
SIF-FR-350-3D	WW-D-1231	3.50	89	1.750	44	5.250	133	3.50	89	3.50	89	3.50	89	4.00	102
SIF-FR-375-3D	WW-D-1231	3.75	95	1.875	48	5.625	143	3.75	95	3.75	95	3.75	95	4.00	102
SIF-FR-400-3D	WW-D-1231	4.00	102	2.000	51	6.000	152	4.00	102	4.00	102	4.00	102	4.00	102
SIF-FR-425-3D	WW-D-1231	4.25	108	2.125	54	6.375	162	4.25	108	4.25	108	4.25	108	4.00	102
SIF-FR-450-3D	WW-D-1231	4.50	114	2.250	57	7.000	178	4.50	114	4.50	114	4.50	114	4.00	102
SIF-FR-475-3D	WW-D-1231	4.75	121	2.375	60	7.125	181	4.75	121	4.75	121	4.75	121	4.00	102
SIF-FR-500-3D	WW-D-1231	5.00	127	2.500	64	7.500	191	5.00	127	5.00	127	5.00	127	4.00	102
SIF-FR-525-3D	WW-D-1231	5.25	133	2.625	67	7.875	200	5.25	133	5.25	133	5.25	133	4.00	102
SIF-FR-550-3D	WW-D-1231	5.50	140	2.750	70	8.250	210	5.50	140	5.50	140	5.50	140	4.00	102
SIF-FR-575-3D	WW-D-1231	5.75	146	2.875	73	8.625	219	5.75	146	5.75	146	5.75	146	4.00	102
SIF-FR-600-3D	WW-D-1231	6.00	152	3.000	76	9.000	229	6.00	152	6.00	152	6.00	152	4.00	102



Dimension shown in **inches** (bold) and millimeters. Contact MM Systems for larger system sizes.

Please note that Joint Opening (JO) and Sight Line (SL) are one in the same for the SIF-FR Series

Requires cement board as a component of the rated construction for all sizes.

Note: Refer to the SIF-FR-3D AutoCAD file for individual seal drawings.



50 MM WAY
PENDERGRASS, GA. 30567
706-824-7500 PHONE
800-241-3460 TOLL FREE
706-824-7501 FAX

www.mm.systems

For Spec-Data, Install Guides, and other data visit www.mm-usa.com

RIGHTS OF DESIGN

All rights of design, detail, engineering and/or invention contained herein are the property of MM Systems and hereby reserved and are not to be reproduced or provided to any other party. MM Systems reserves the right to amend or withdraw any information contained herein without notice and will not be liable for any inaccuracy or ambiguity of said information.

Silicone Impregnated Foam - 3 Hour Fire Rated Expansion Joint SIF-FR-3D Series

Drawn by: MVP	Scale: NTS	Drawing Number: 30753-03
SHT. 3 OF 3	Issue Date: 11/20/2020	