

SELF-EXPANDING FIRE RATED  
MICRO-CELL FOAM  
(FACTORY PRE-COMPRESSED  
TO LESS THAN NOMINAL)

INTEGRAL SMOKE  
SHIELD

EPOXY SIDEWALL  
ADHESIVE  
(BOTH SIDES)

SILICONE FILLET BEAD  
(USE ON IRREGULAR  
SUBSTRATES)

DOUBLE SIDE SILICONE  
SURFACE SEAL  
FACTORY APPLIED  
(AVAILABLE IN  
VARIOUS COLORS)

JO  
(see chart pg.3)

CEMENT BOARD BOTH SIDES  
(3/8" HARDIEBACKER /  
JAMES HARDIE OR PERMABASE /  
NATIONAL GYPSUM)

SD

0.25"  
[6mm]

SIF-FR-2D SERIES  
2 HOUR FIRE RATED  
EXPANSION JOINT

GYPSUM with CEMENT  
BOARD SHOWN, CMU BLOCK  
AND CONCRETE WALL DETAILS  
(APPROVED SUBSTRATES)  
AVAILABLE

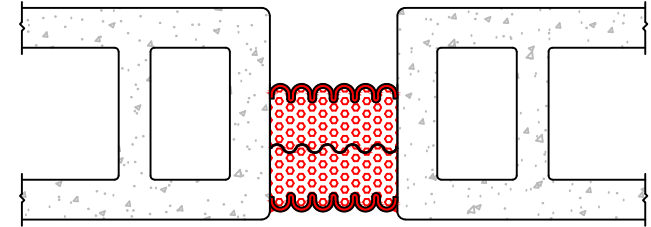


LISTING DESIGN  
(see page 3 chart)

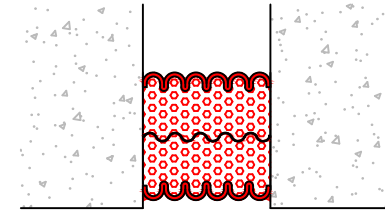
**IMPORTANT LIFE SAFETY PRODUCT NOTE**  
2-HOUR FOAM SEAL FIRE BARRIER MUST BE INSTALLED  
IN A PROPERLY CONSTRUCTED 2-HOUR RATED WALL  
ASSEMBLY WITH A MINIMUM WALL THICKNESS OF  
4.5-INCHES AT THE JOINT FACE. BARRIERS MUST BE  
INSTALLED IN STRICT ACCORDANCE WITH  
MM SYSTEMS PRODUCT INSTALLATION INSTRUCTIONS.  
CONTRACTOR MUST VERIFY PRIOR TO FABRICATION.

**SIF-FR-2D Series**  
**2 Hour Fire Rated Expansion Joint**  
**Wall-to-Wall (Double Side Silicone)**

**APPROVED SUBSTRATES**



**CMU BLOCK**



**CONCRETE WALL**



50 MM WAY  
PENDERGRASS, GA. 30567  
706-824-7500 PHONE  
800-241-3460 TOLL FREE  
706-824-7501 FAX

[www.mm.systems](http://www.mm.systems)

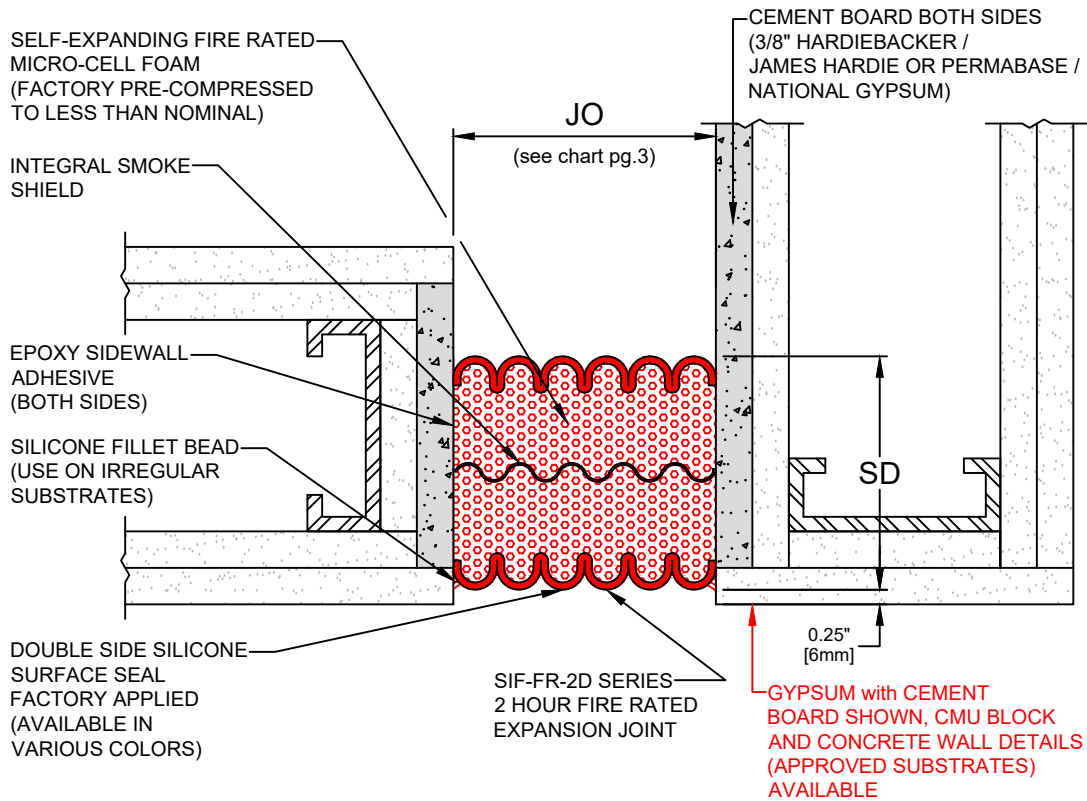
For Spec-Data, Install Guides, and other data visit [www.mm-usa.com](http://www.mm-usa.com)

**RIGHTS OF DESIGN**

All rights of design, detail, engineering and/or  
invention contained herein are the property of  
MM Systems and hereby reserved and are not to be  
reproduced or provided to any other party.  
MM Systems reserves the right to amend or withdraw  
any information contained herein without notice and  
will not be liable for any inaccuracy or ambiguity of  
said information.

**Silicone Impregnated Foam - 2 Hour Fire Rated Expansion Joint**  
**SIF-FR-2D Series**

Drawn by: MVP	Scale: NTS	Drawing Number:
SHT. 1 OF 3	Issue Date: 11/20/2020	30752-01



SELF-EXPANDING FIRE RATED MICRO-CELL FOAM (FACTORY PRE-COMPRESSED TO LESS THAN NOMINAL)

INTEGRAL SMOKE SHIELD

EPOXY SIDEWALL ADHESIVE (BOTH SIDES)

SILICONE FILLET BEAD (USE ON IRREGULAR SUBSTRATES)

DOUBLE SIDE SILICONE SURFACE SEAL FACTORY APPLIED (AVAILABLE IN VARIOUS COLORS)

SIF-FR-2D SERIES 2 HOUR FIRE RATED EXPANSION JOINT

CEMENT BOARD BOTH SIDES (3/8" HARDIEBACKER / JAMES HARDIE OR PERMABASE / NATIONAL GYPSUM)

0.25" [6mm]

GYPSUM with CEMENT BOARD SHOWN, CMU BLOCK AND CONCRETE WALL DETAILS (APPROVED SUBSTRATES) AVAILABLE

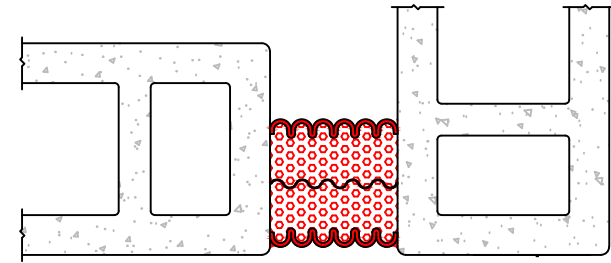


LISTING DESIGN (see page 3 chart)

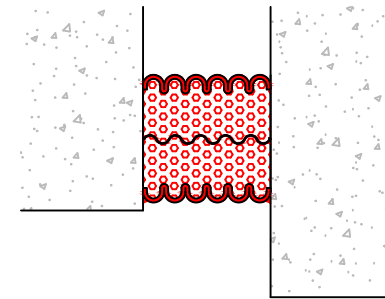
**IMPORTANT LIFE SAFETY PRODUCT NOTE**  
 2-HOUR FOAM SEAL FIRE BARRIER MUST BE INSTALLED IN A PROPERLY CONSTRUCTED 2-HOUR RATED WALL ASSEMBLY WITH A MINIMUM WALL THICKNESS OF 4.5-INCHES AT THE JOINT FACE. BARRIERS MUST BE INSTALLED IN STRICT ACCORDANCE WITH MM SYSTEMS PRODUCT INSTALLATION INSTRUCTIONS. CONTRACTOR MUST VERIFY PRIOR TO FABRICATION.

**SIF-FR-2D Series  
 2 Hour Fire Rated Expansion Joint  
 Wall-to-Corner (Double Side Silicone)**

**APPROVED SUBSTRATES**



**CMU BLOCK**



**CONCRETE WALL**



50 MM WAY  
 PENDERGRASS, GA. 30567  
 706-824-7500 PHONE  
 800-241-3460 TOLL FREE  
 706-824-7501 FAX

[www.mm.systems](http://www.mm.systems)

For Spec-Data, Install Guides, and other data visit [www.mm-usa.com](http://www.mm-usa.com)

**RIGHTS OF DESIGN**

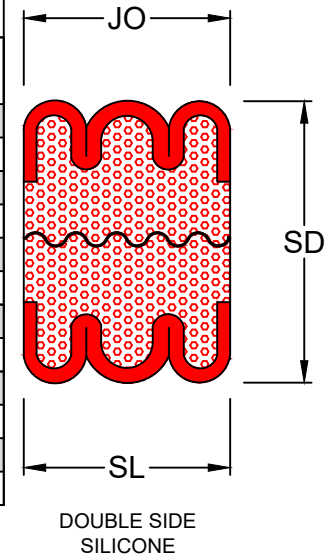
All rights of design, detail, engineering and/or invention contained herein are the property of MM Systems and hereby reserved and are not to be reproduced or provided to any other party. MM Systems reserves the right to amend or withdraw any information contained herein without notice and will not be liable for any inaccuracy or ambiguity of said information.

**Silicone Impregnated Foam - 2 Hour Fire Rated Expansion Joint  
 SIF-FR-2D Series**

Drawn by: MVP	Scale: NTS	Drawing Number:
SHT. 2 OF 3	Issue Date: 11/20/2020	30752-02

## (SIF-FR-2D) FIRE RATED SERIES EXPANSION JOINT MOVEMENT CHART

Model Number	UL Listing	Joint Opening (JO <sup>N</sup> )		Thermal / Seismic Movement (JO <sup>T</sup> )				Total (JO <sup>A</sup> )		Lateral Shear		Vertical Displacement		Seal Depth (SD)	
		Nominal		Minimum		Maximum		Movement							
SIF-FR-325-2D	WW-D-1231	<b>3.25</b>	83	<b>1.625</b>	41	<b>4.875</b>	124	<b>3.25</b>	83	<b>3.25</b>	83	<b>3.25</b>	83	<b>4.00</b>	102
SIF-FR-350-2D	WW-D-1231	<b>3.50</b>	89	<b>1.750</b>	44	<b>5.250</b>	133	<b>3.50</b>	89	<b>3.50</b>	89	<b>3.50</b>	89	<b>4.00</b>	102
SIF-FR-375-2D	WW-D-1231	<b>3.75</b>	95	<b>1.875</b>	48	<b>5.625</b>	143	<b>3.75</b>	95	<b>3.75</b>	95	<b>3.75</b>	95	<b>4.00</b>	102
SIF-FR-400-2D	WW-D-1231	<b>4.00</b>	102	<b>2.000</b>	51	<b>6.000</b>	152	<b>4.00</b>	102	<b>4.00</b>	102	<b>4.00</b>	102	<b>4.00</b>	102
SIF-FR-425-2D	WW-D-1231	<b>4.25</b>	108	<b>2.125</b>	54	<b>6.375</b>	162	<b>4.25</b>	108	<b>4.25</b>	108	<b>4.25</b>	108	<b>4.00</b>	102
SIF-FR-450-2D	WW-D-1231	<b>4.50</b>	114	<b>2.250</b>	57	<b>7.000</b>	178	<b>4.50</b>	114	<b>4.50</b>	114	<b>4.50</b>	114	<b>4.00</b>	102
SIF-FR-475-2D	WW-D-1231	<b>4.75</b>	121	<b>2.375</b>	60	<b>7.125</b>	181	<b>4.75</b>	121	<b>4.75</b>	121	<b>4.75</b>	121	<b>4.00</b>	102
SIF-FR-500-2D	WW-D-1231	<b>5.00</b>	127	<b>2.500</b>	64	<b>7.500</b>	191	<b>5.00</b>	127	<b>5.00</b>	127	<b>5.00</b>	127	<b>4.00</b>	102
SIF-FR-525-2D	WW-D-1231	<b>5.25</b>	133	<b>2.625</b>	67	<b>7.875</b>	200	<b>5.25</b>	133	<b>5.25</b>	133	<b>5.25</b>	133	<b>4.00</b>	102
SIF-FR-550-2D	WW-D-1231	<b>5.50</b>	140	<b>2.750</b>	70	<b>8.250</b>	210	<b>5.50</b>	140	<b>5.50</b>	140	<b>5.50</b>	140	<b>4.00</b>	102
SIF-FR-575-2D	WW-D-1231	<b>5.75</b>	146	<b>2.875</b>	73	<b>8.625</b>	219	<b>5.75</b>	146	<b>5.75</b>	146	<b>5.75</b>	146	<b>4.00</b>	102
SIF-FR-600-2D	WW-D-1231	<b>6.00</b>	152	<b>3.000</b>	76	<b>9.000</b>	229	<b>6.00</b>	152	<b>6.00</b>	152	<b>6.00</b>	152	<b>4.00</b>	102



Dimension shown in **inches** (bold) and millimeters.

Please note that Joint Opening (JO) and Sight Line (SL) are one in the same for the SIF-FR Series

Requires cement board as a component of the rated construction for all sizes.

[Note: Refer to the SIF-FR-2D AutoCAD file for individual seal drawings.](#)



50 MM WAY  
PENDERGRASS, GA. 30567  
706-824-7500 PHONE  
800-241-3460 TOLL FREE  
706-824-7501 FAX

[www.mm.systems](http://www.mm.systems)

For Spec-Data, Install Guides, and other data visit [www.mm-usa.com](http://www.mm-usa.com)

### RIGHTS OF DESIGN

All rights of design, detail, engineering and/or invention contained herein are the property of MM Systems and hereby reserved and are not to be reproduced or provided to any other party. MM Systems reserves the right to amend or withdraw any information contained herein without notice and will not be liable for any inaccuracy or ambiguity of said information.

### Silicone Impregnated Foam - 2 Hour Fire Rated Expansion Joint SIF-FR-2D Series

Drawn by: MVP	Scale: NTS	Drawing Number:  <b>30752-03</b>
SHT. 3 OF 3	Issue Date: 11/20/2020	