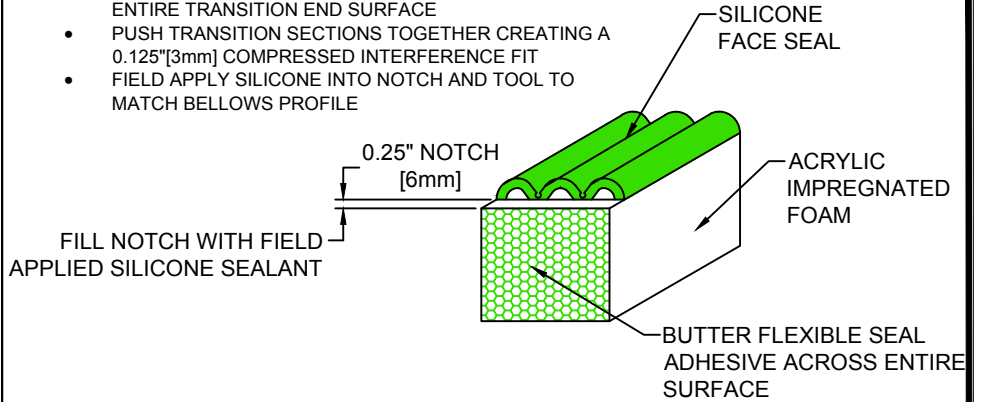


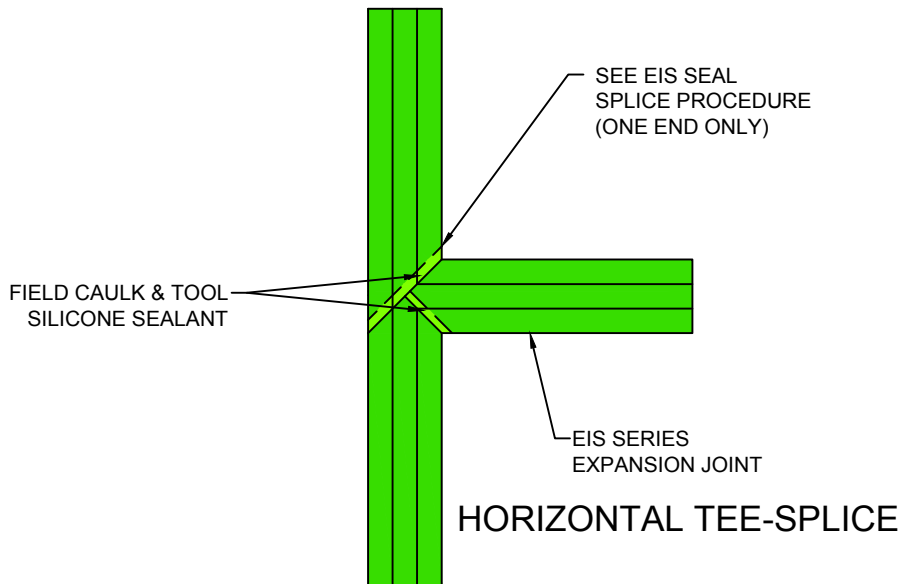
HORIZONTAL L-SPLICE

**NOTE:**

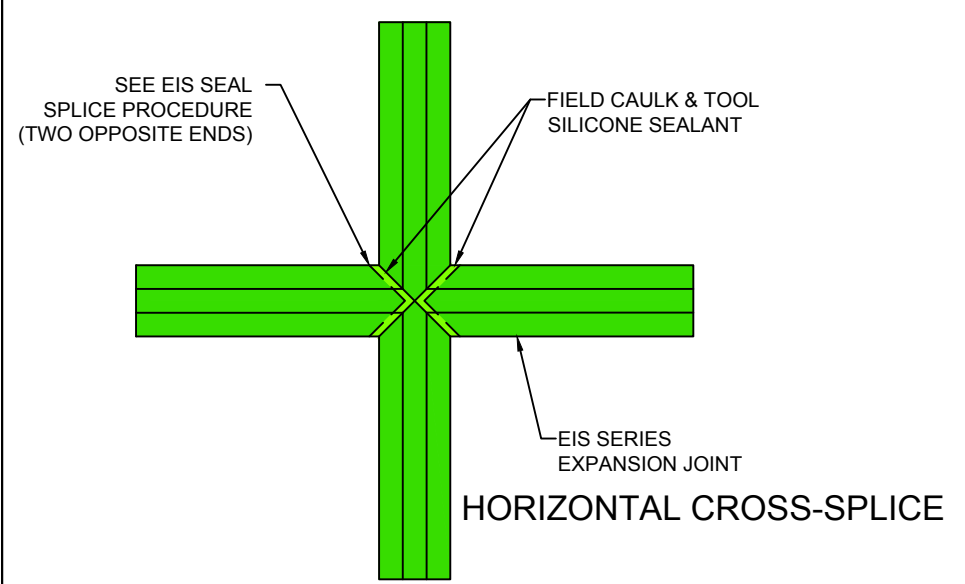
- CUT & REMOVE 0.25"[6mm] NOTCH FROM SILICONE FACE SEAL FROM ONE END ONLY
- FIELD APPLY FLEXIBLE SEAL ADHESIVE ACROSS ENTIRE TRANSITION END SURFACE
- PUSH TRANSITION SECTIONS TOGETHER CREATING A 0.125"[3mm] COMPRESSED INTERFERENCE FIT
- FIELD APPLY SILICONE INTO NOTCH AND TOOL TO MATCH BELLOWS PROFILE



EIS SPLICING PROCEDURE



HORIZONTAL TEE-SPLICE



HORIZONTAL CROSS-SPLICE



50 MM WAY  
 PENDERGRASS, GA. 30567  
 706-824-7500 PHONE  
 800-241-3460 TOLL FREE  
 706-824-7501 FAX

[www.mm-usa.com](http://www.mm-usa.com)

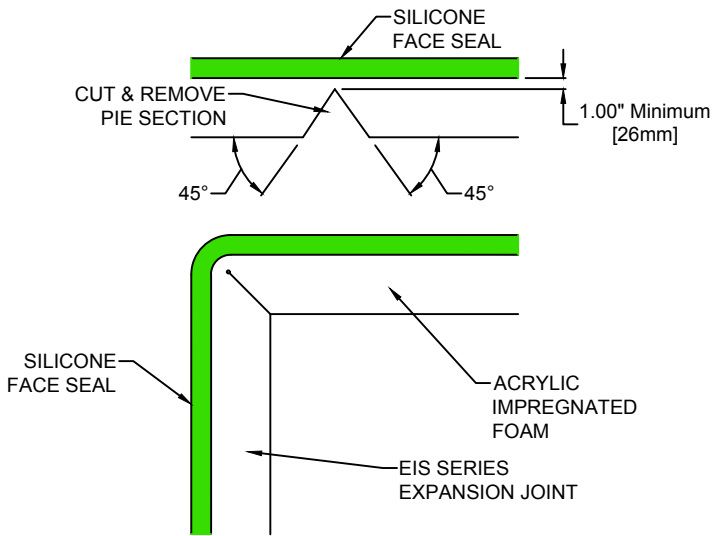
For Spec-Data, Install Guides and other data visit [www.mm-usa.com](http://www.mm-usa.com).

**RIGHTS OF DESIGN**

All rights of design, detail, engineering and/or invention contained herein are the property of MM Systems Corporation and hereby reserved and are not to be reproduced or provided to any other party. MM Systems Corporation reserves the right to amend or withdraw any information contained herein without notice and will not be liable for any inaccuracy or ambiguity of said information.

**Expanding Impregnated Seismic Expansion Joint  
 EIS Series Horizontal Field Splicing**

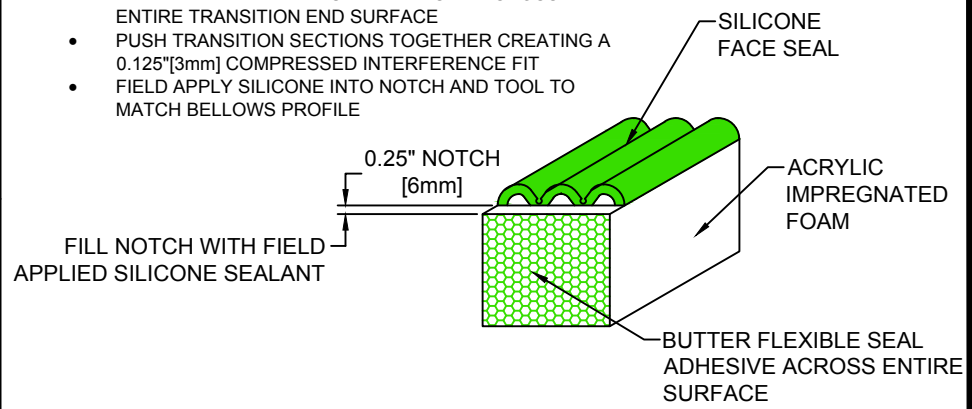
Drawn by: DMW	Scale: NTS	Drawing Number: <b>31651-01</b>
Sheet: 1 OF 3	Issue Date: 04-11-2016	



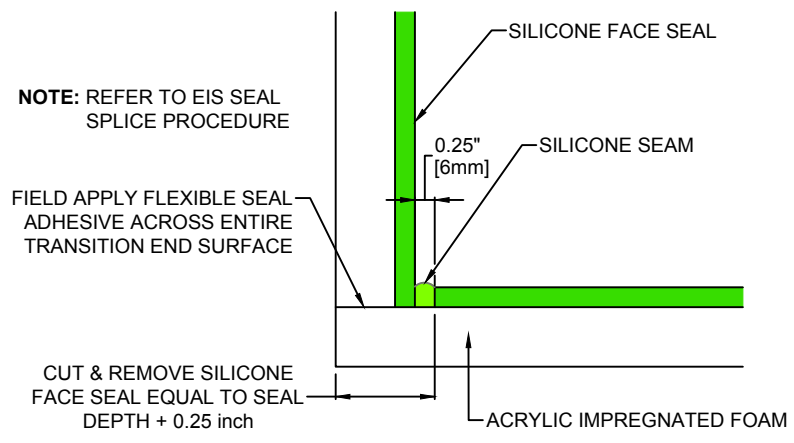
OUTSIDE CORNER

**NOTE:**

- CUT & REMOVE 0.25"[6mm] NOTCH FROM SILICONE FACE SEAL FROM ONE END ONLY
- FIELD APPLY FLEXIBLE SEAL ADHESIVE ACROSS ENTIRE TRANSITION END SURFACE
- PUSH TRANSITION SECTIONS TOGETHER CREATING A 0.125"[3mm] COMPRESSED INTERFERENCE FIT
- FIELD APPLY SILICONE INTO NOTCH AND TOOL TO MATCH BELLOWS PROFILE



EIS SPLICING PROCEDURE



INSIDE CORNER



50 MM WAY  
 PENDERGRASS, GA. 30567  
 706-824-7500 PHONE  
 800-241-3460 TOLL FREE  
 706-824-7501 FAX

[www.mm-usa.com](http://www.mm-usa.com)

For Spec-Data, Install Guides and other data visit [www.mm-usa.com](http://www.mm-usa.com).

**RIGHTS OF DESIGN**

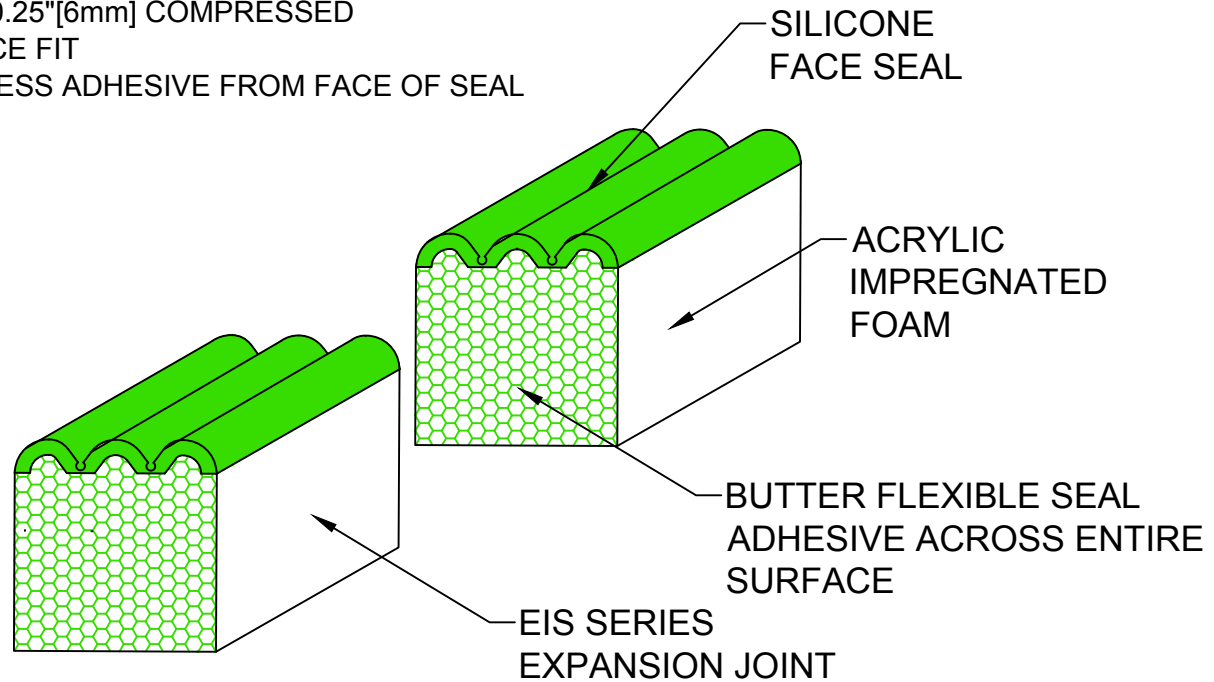
All rights of design, detail, engineering and/or invention contained herein are the property of MM Systems Corporation and hereby reserved and are not to be reproduced or provided to any other party. MM Systems Corporation reserves the right to amend or withdraw any information contained herein without notice and will not be liable for any inaccuracy or ambiguity of said information.

**Expanding Impregnated Seismic Expansion Joint  
 EIS Series Horizontal Field Splicing**

Drawn by: DMW	Scale: NTS	Drawing Number: <b>31651-01</b>
Sheet: 2 OF 3	Issue Date: 04-11-2016	

**NOTE:**

- INSURE BOTH ENDS ARE CUT SQUARE
- FIELD APPLY FLEXIBLE SEAL ADHESIVE ACROSS ENTIRE BUTT END SURFACE
- PUSH NEXT SECTION OF EIS INTO PREVIOUS SECTION CREATING A 0.25"[6mm] COMPRESSED INTERFERENCE FIT
- REMOVE EXCESS ADHESIVE FROM FACE OF SEAL



**HORIZONTAL BUTT-SPLICE**



50 MM WAY  
PENDERGRASS, GA. 30567  
706-824-7500 PHONE  
800-241-3460 TOLL FREE  
706-824-7501 FAX

[www.mm-usa.com](http://www.mm-usa.com)

For Spec-Data, Install Guides and other data visit [www.mm-usa.com](http://www.mm-usa.com).

**RIGHTS OF DESIGN**

All rights of design, detail, engineering and/or invention contained herein are the property of MM Systems Corporation and hereby reserved and are not to be reproduced or provided to any other party. MM Systems Corporation reserves the right to amend or withdraw any information contained herein without notice and will not be liable for any inaccuracy or ambiguity of said information.

**Expanding Impregnated Seismic Expansion Joint  
EIS Series Horizontal Field Splicing**

Drawn by:

DMW

Scale:

NTS

Drawing Number:

Sheet: 3 OF 3

Issue Date:  
04-11-2016

**31651-01**