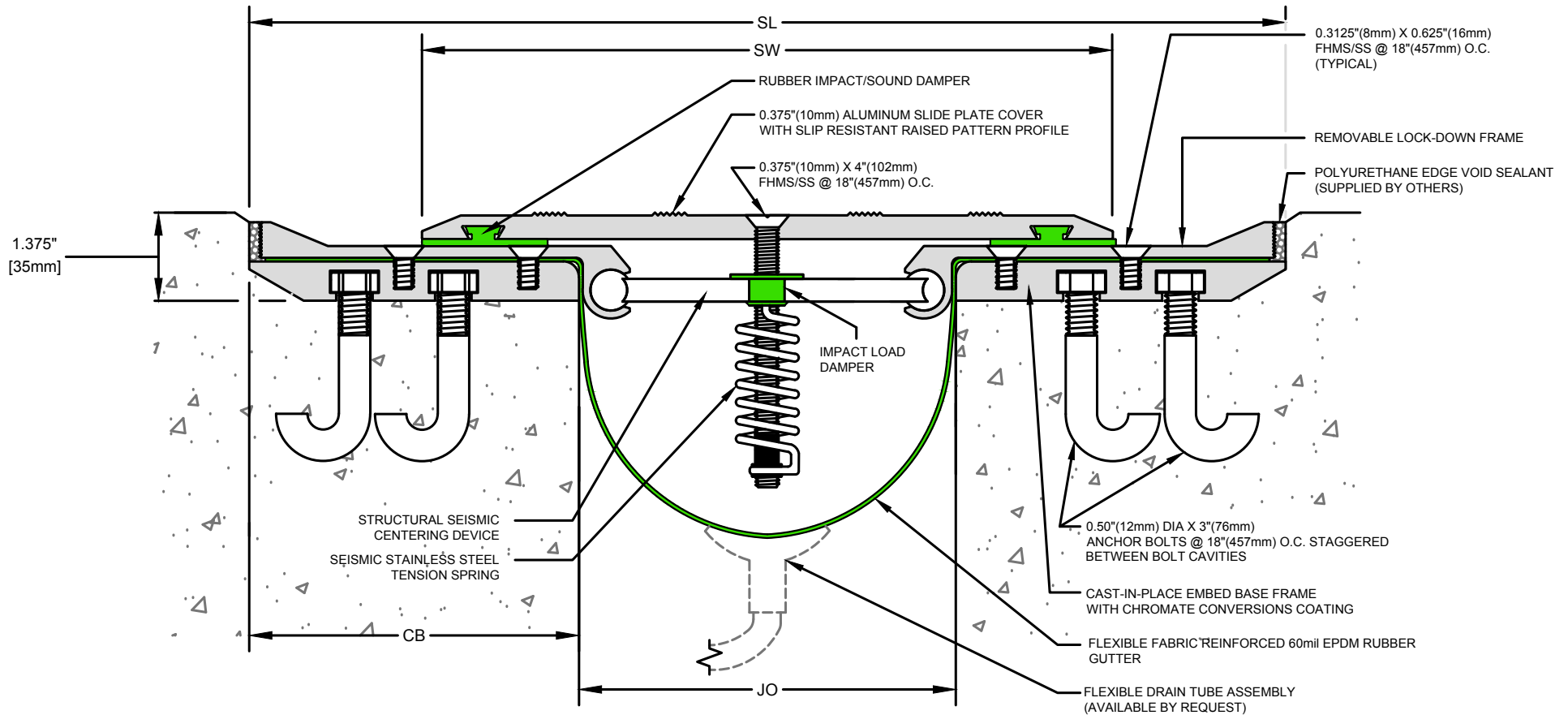


Model Number	Nominal (JO _n)		Nominal (SL _n)		Thermal Movement (JO _t)				Seismic Movement (JO _s)				Total (JO _t) Movement		Cast-In Base (CB)		Slide Plate Thickness (ST)		Slide Plate Width (SW)	
	Minimum	Maximum	Minimum	Maximum	Minimum	Maximum	Minimum	Maximum	Minimum	Maximum	Minimum	Maximum	Minimum	Maximum	Minimum	Maximum	Minimum	Maximum	Minimum	Maximum
CIS-400	4.00	102	14.25	362	2.50	64	6.00	152	2.50	64	6.00	152	3.50	89	5.25	133	0.375	10	8.00	203
CIS-600	6.00	152	16.25	413	3.00	76	9.00	229	2.50	64	9.00	229	6.50	165	5.25	133	0.375	10	11.00	279
CIS-800	8.00	203	22.25	565	4.00	102	12.00	305	2.50	64	12.00	305	9.50	241	7.25	184	0.375	10	14.00	356
CIS-1000	10.00	254	24.25	616	5.00	127	15.00	381	2.50	64	15.00	381	12.50	318	7.25	184	0.375	10	17.00	432
CIS-1200	12.00	305	26.25	667	6.00	152	18.00	457	2.50	64	18.00	457	15.50	394	7.25	184	0.500	13	20.00	508

Dimension shown in inches (bold) and millimeters. JO = Joint Opening. SL = Sight Line.



CIS Series Expansion Joint
(Slab-to-Slab)



50 MM WAY
PENDERGRASS, GA. 30567
706-824-7500 PHONE
800-241-3460 TOLL FREE
706-824-7501 FAX

www.mm-usa.com

For Spec-Data, Install Guides and other data visit www.mm-usa.com.

RIGHTS OF DESIGN

All rights of design, detail, engineering and/or invention contained herein are the property of MM Systems Corporation and hereby reserved and are not to be reproduced or provided to any other party. MM Systems Corporation reserves the right to amend or withdraw any information contained herein without notice and will not be liable for any inaccuracy or ambiguity of said information.

Cast-in Seismic Post Tension Expansion Joint
CIS Series

Drawn by: DMW	Scale: NTS	Drawing Number: 30200-01
SHT. 1 OF 1	Issue Date: 11-08-2016	