

**BIS Series Expansion Joint**  
**Sizes 1400 through 2400**  
**(Slab-to-Slab)**



50 MM WAY  
 PENDERGRASS, GA. 30567  
 706-824-7500 PHONE  
 800-241-3460 TOLL FREE  
 706-824-7501 FAX  
[www.mm.systems](http://www.mm.systems)

For Spec-Data, Install Guides, and other data visit [www.mm.systems](http://www.mm.systems)

**RIGHTS OF DESIGN**

All rights of design, detail, engineering and/or invention contained herein are the property of MM Systems and hereby reserved and are not to be reproduced or provided to any other party. MM Systems reserves the right to amend or withdraw any information contained herein without notice and will not be liable for any inaccuracy or ambiguity of said information.

**Bolt-In Seismic Expansion Joint**  
**BIS Series (1400-2400)**

Drawn by: MVP	Scale: NTS	Drawing Number:  <b>30250-02A</b>
SHT. 1 OF 3	Issue Date: 06/02/2021	

## BIS SERIES EXPANSION JOINT MOVEMENT CHART (1400-2400)

Model Number	Joint Opening (JO <sup>N</sup> )		Sight Line (SL <sup>N</sup> )		Thermal Movement (JO <sup>T</sup> )				Seismic Movement (JO <sup>S</sup> )				Total (JO <sup>A</sup> )		Slide Plate Thickness (ST)		Slide Plate Width (SW)		Blockout Width (BW)		Blockout Depth (BD)	
	Nominal		Nominal		Minimum	Maximum	Minimum	Maximum	Minimum	Maximum	Minimum	Maximum	Minimum	Maximum								
BIS-1400	<b>14.00</b>	356	<b>32.74</b>	832	<b>12.00</b>	305	<b>16.00</b>	406	<b>6.00</b>	152	<b>21.00</b>	533	<b>15.00</b>	381	<b>0.500</b>	13	<b>25.00</b>	635	<b>9.75</b>	248	<b>0.875</b>	22
BIS-1600	<b>16.00</b>	406	<b>34.74</b>	882	<b>14.00</b>	356	<b>18.00</b>	457	<b>6.00</b>	152	<b>24.00</b>	610	<b>18.00</b>	457	<b>0.500</b>	13	<b>28.00</b>	711	<b>9.75</b>	248	<b>0.875</b>	22
BIS-1800	<b>18.00</b>	457	<b>36.74</b>	933	<b>16.00</b>	406	<b>20.00</b>	508	<b>8.00</b>	203	<b>27.00</b>	686	<b>19.00</b>	483	<b>0.625</b>	16	<b>29.50</b>	749	<b>9.75</b>	248	<b>1.000</b>	25
BIS-2000	<b>20.00</b>	508	<b>38.74</b>	984	<b>18.00</b>	457	<b>22.00</b>	559	<b>10.00</b>	254	<b>30.00</b>	762	<b>20.00</b>	508	<b>0.625</b>	16	<b>31.00</b>	787	<b>9.75</b>	248	<b>1.000</b>	25
BIS-2200	<b>22.00</b>	559	<b>40.74</b>	1035	<b>20.00</b>	508	<b>24.00</b>	610	<b>10.00</b>	254	<b>33.00</b>	838	<b>23.00</b>	584	<b>0.625</b>	16	<b>34.00</b>	864	<b>9.75</b>	248	<b>1.000</b>	25
BIS-2400	<b>24.00</b>	610	<b>42.74</b>	1086	<b>22.00</b>	559	<b>26.00</b>	660	<b>12.00</b>	305	<b>36.00</b>	914	<b>24.00</b>	610	<b>0.625</b>	16	<b>37.00</b>	940	<b>9.75</b>	248	<b>1.000</b>	25

Dimension shown in **inches** (bold) and millimeters. Refer to the BIS AutoCAD file for individual system drawings.

BIS SERIES LOAD RATING CHART				
Model Number	Auto	Utility Vehicle	Bus	AASHTO HS20
BIS-1400	✓	✓	*	*
BIS-1600	✓	✓	*	*
BIS-1800	✓	✓	✓	*
BIS-2000	✓	✓	*	*
BIS-2200	✓	✓	*	*
BIS-2400	✓	✓	*	*

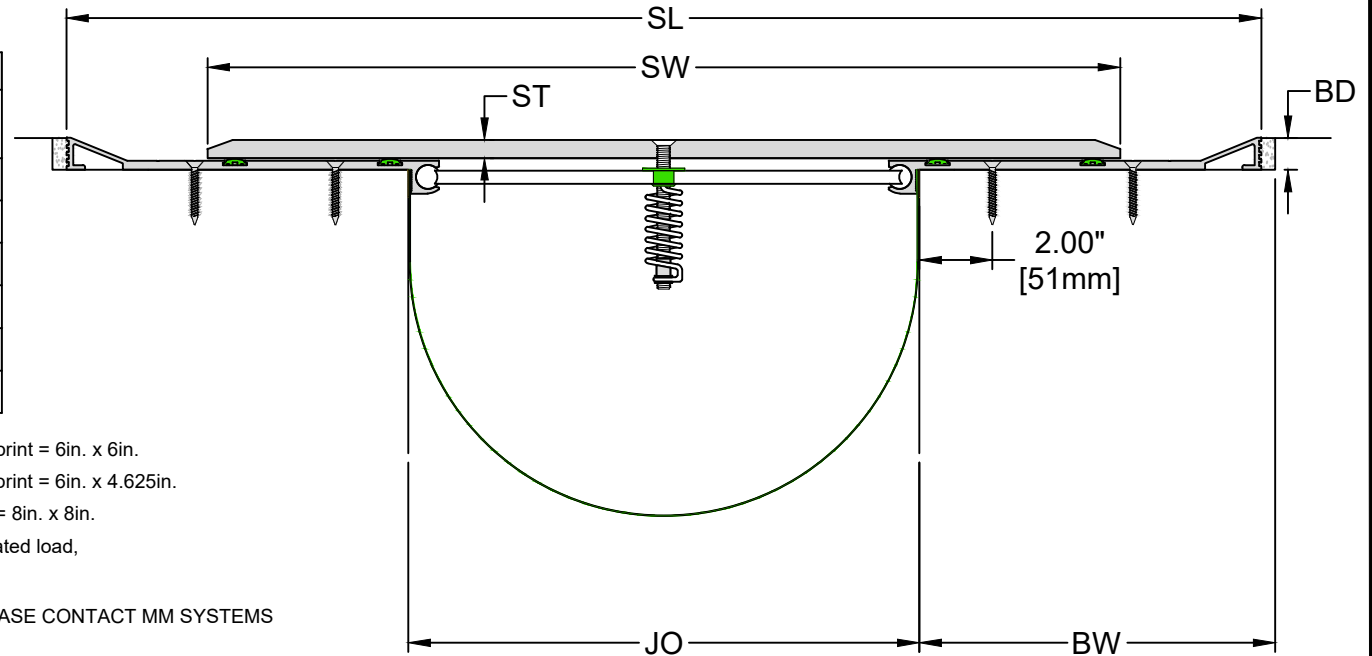
Auto: 8,000lb passenger vehicle, 2,000lb concentrated load, footprint = 6in. x 6in.

Utility Vehicle: 8,000lb utility cart, 2,000lb concentrated load, footprint = 6in. x 4.625in.

Bus: 24,080lb Bluebird Bus, 4,013lb concentrated load, footprint = 8in. x 8in.

AASHTO HS20: 64,000lb emergency vehicle, 16,000lb concentrated load, footprint = 10in. x 20in.

**\*** FOR PROJECT SPECIFIC LOADING REQUIREMENTS, PLEASE CONTACT MM SYSTEMS



50 MM WAY  
 PENDERGRASS, GA. 30567  
 706-824-7500 PHONE  
 800-241-3460 TOLL FREE  
 706-824-7501 FAX  
[www.mm.systems](http://www.mm.systems)

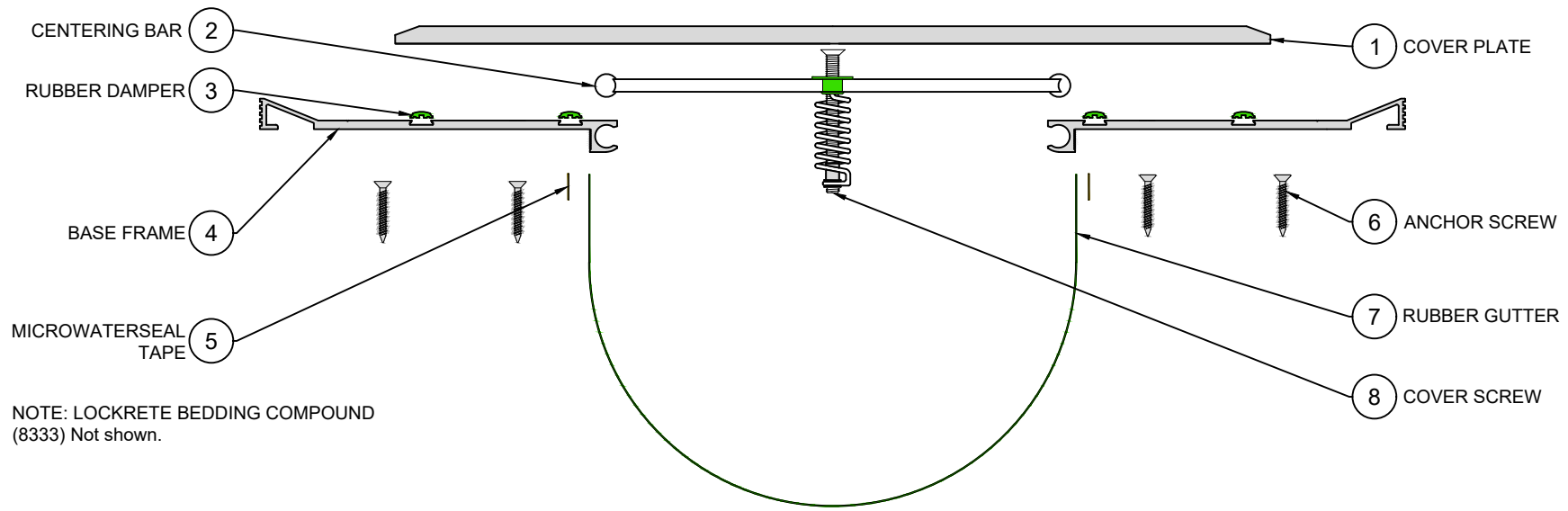
For Spec-Data, Install Guides, and other data visit [www.mm.systems](http://www.mm.systems)

### RIGHTS OF DESIGN

All rights of design, detail, engineering and/or invention contained herein are the property of MM Systems and hereby reserved and are not to be reproduced or provided to any other party. MM Systems reserves the right to amend or withdraw any information contained herein without notice and will not be liable for any inaccuracy or ambiguity of said information.

## Bolt-In Seismic Expansion Joint BIS Series (1400-2400)

Drawn by: MVP	Scale: NTS	Drawing Number:
SHT. 2 OF 3	Issue Date: 06/02/2021	<b>30250-02A</b>



NOTE: LOCKRETE BEDDING COMPOUND (8333) Not shown.

EXPLODED VIEW ▲

▼ PART NUMBERS

Locator	Part Designation	BIS-1400	BIS-1600	BIS-1800	BIS-2000	BIS-2200	BIS-2400
1	Cover Plate	0.50" X 25.00"	0.50" X 28.00"	0.625" X 29.50"	0.625" X 31.00"	0.625" X 34.00"	0.625" X 37.00"
2	Centering Bar	ASSY-SCD-2400-S001	ASSY-SCD-2600-S001	ASSY-SCD-2800-S001	ASSY-SCD-3300-S001	ASSY-SCD-3600-S001	ASSY-SCD-4100-S001
3	Rubber Damper	8461-65	8461-65	8461-65	8461-65	8461-65	8461-65
4	Base Frame	ASSY-71377140-M-10-00-18	ASSY-71377140-M-10-00-18	ASSY-71377140-M-10-00-18	ASSY-71377140-M-10-00-18	ASSY-71377140-M-10-00-18	ASSY-71377140-M-10-00-18
5	Microwaterseal Tape	Microwaterseal60X3/4	Microwaterseal60X3/4	Microwaterseal60X3/4	Microwaterseal60X3/4	Microwaterseal60X3/4	Microwaterseal60X3/4
6	Anchor Screw	9377	9377	9377	9377	9377	9377
7	Rubber Gutter	9109-30	9109-30	9109-35	9109-35	9109-40	9109-40
8	Cover Screw	8325	8325	8325	8325	8325	8325



50 MM WAY  
 PENDERGRASS, GA. 30567  
 706-824-7500 PHONE  
 800-241-3460 TOLL FREE  
 706-824-7501 FAX  
[www.mm.systems](http://www.mm.systems)

For Spec-Data, Install Guides, and other data visit [www.mm.systems](http://www.mm.systems)

**RIGHTS OF DESIGN**

All rights of design, detail, engineering and/or invention contained herein are the property of MM Systems and hereby reserved and are not to be reproduced or provided to any other party. MM Systems reserves the right to amend or withdraw any information contained herein without notice and will not be liable for any inaccuracy or ambiguity of said information.

**Bolt-In Seismic Expansion Joint  
 BIS Series (1400-2400)**

Drawn by: MVP	Scale: NTS	Drawing Number:  <b>30250-02A</b>
SHT. 3 OF 3	Issue Date: 06/02/2021	