

BIS-C Series Expansion Joint
Sizes 400 through 1200
(Slab-to-Wall)



50 MM WAY
 PENDERGRASS, GA. 30567
 706-824-7500 PHONE
 800-241-3460 TOLL FREE
 706-824-7501 FAX
www.mm.systems

For Spec-Data, Install Guides, and other data visit www.mm.systems

RIGHTS OF DESIGN

All rights of design, detail, engineering and/or invention contained herein are the property of MM Systems and hereby reserved and are not to be reproduced or provided to any other party. MM Systems reserves the right to amend or withdraw any information contained herein without notice and will not be liable for any inaccuracy or ambiguity of said information.

Bolt-In Seismic Expansion Joint
BIS-C Series (400-1200)

Drawn by: BGS	Scale: NTS	Drawing Number: 30250-03A
SHT. 1 OF 3	Issue Date: 06/04/2021	

BIS-C SERIES EXPANSION JOINT MOVEMENT CHART (400-1200)

Model Number	Joint Opening (JO ^N)		Sight Line (SL ^N)		Thermal Movement (JO ^T)				Seismic Movement (JO ^S)				Total (JO ^A)		Slide Plate Thickness (ST)		Slide Plate Width (SW)		Blockout Width (BW)		Blockout Depth (BD)	
	Nominal		Nominal		Minimum	Maximum	Minimum	Maximum	Minimum	Maximum	Minimum	Maximum	Minimum	Maximum	Minimum	Maximum	Minimum	Maximum	Minimum	Maximum	Minimum	Maximum
BIS-C-400	4.00	102	8.34	212	3.00	76	5.00	127	2.50	64	5.00	127	2.50	64	0.250	6	5.25	133	4.75	121	0.750	19
BIS-C-600	6.00	152	10.34	263	5.00	127	7.00	178	2.50	64	7.50	191	5.00	127	0.375	10	7.50	191	4.75	121	0.750	19
BIS-C-800	8.00	203	13.87	352	7.00	178	9.00	229	2.50	64	10.00	254	7.50	191	0.375	10	10.25	260	6.25	159	0.750	19
BIS-C-1000	10.00	254	15.87	403	9.00	229	11.00	279	2.50	64	12.50	318	10.00	254	0.375	10	12.50	318	6.25	159	0.750	19
BIS-C-1200	12.00	305	17.87	454	11.00	279	13.00	330	2.50	64	15.00	381	12.50	318	0.500	13	14.75	375	6.25	159	0.750	19

Dimension shown in **inches** (bold) and millimeters. Refer to the BIS-C AutoCAD file for individual system drawings.

BIS-C SERIES LOAD RATING CHART

Model Number	Auto	Utility Vehicle	Bus	AASHTO HS20
BIS-C-400	✓	*	✓	*
BIS-C-600	✓	✓	✓	*
BIS-C-800	✓	✓	✓	*
BIS-C-1000	✓	✓	*	*
BIS-C-1200	✓	✓	✓	*

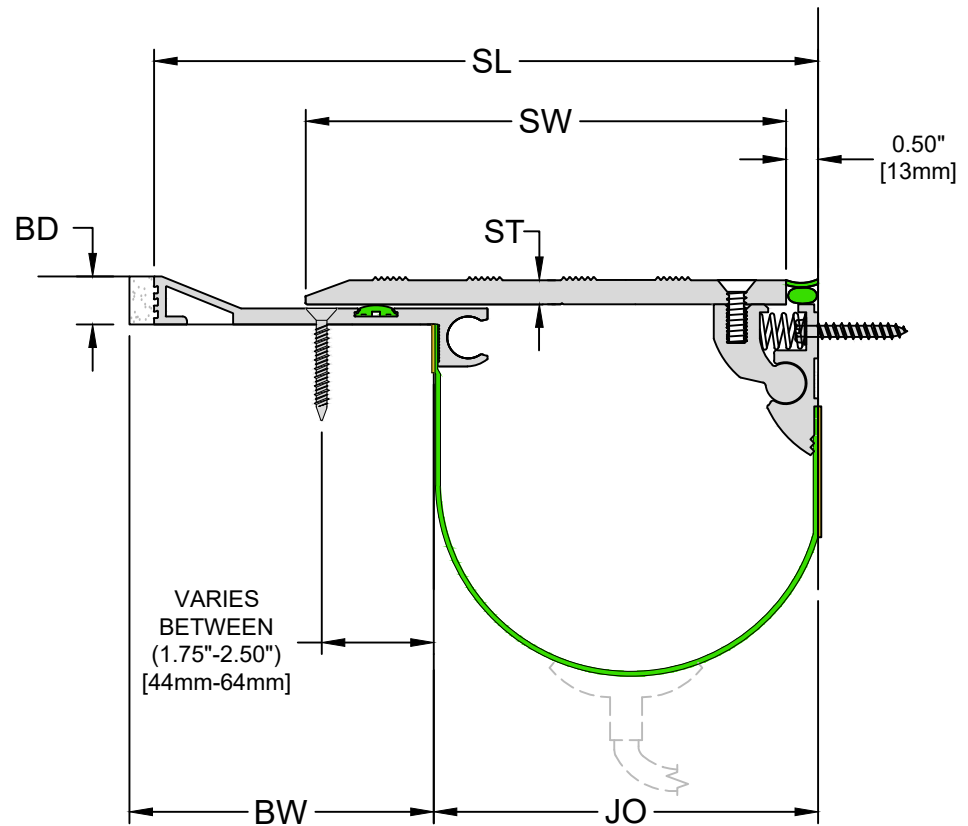
Auto: 8,000lb passenger vehicle, 2,000lb concentrated load, footprint = 6in. x 6in.

Utility Vehicle: 8,000lb utility cart, 2,000lb concentrated load, footprint = 6in. x 4.625in.

Bus: 24,080lb Bluebird Bus, 4,013lb concentrated load, footprint = 8in. x 8in.

AASHTO HS20: 64,000lb emergency vehicle, 16,000lb concentrated load, footprint = 10in. x 20in.

***** FOR PROJECT SPECIFIC LOADING REQUIREMENTS, PLEASE CONTACT MM SYSTEMS



50 MM WAY
PENDERGRASS, GA. 30567
706-824-7500 PHONE
800-241-3460 TOLL FREE
706-824-7501 FAX

www.mm.systems

For Spec-Data, Install Guides, and other data visit www.mm.systems

RIGHTS OF DESIGN

All rights of design, detail, engineering and/or invention contained herein are the property of MM Systems and hereby reserved and are not to be reproduced or provided to any other party. MM Systems reserves the right to amend or withdraw any information contained herein without notice and will not be liable for any inaccuracy or ambiguity of said information.

Bolt-In Seismic Expansion Joint BIS-C Series (400-1200)

Drawn by:

BGS

Scale:

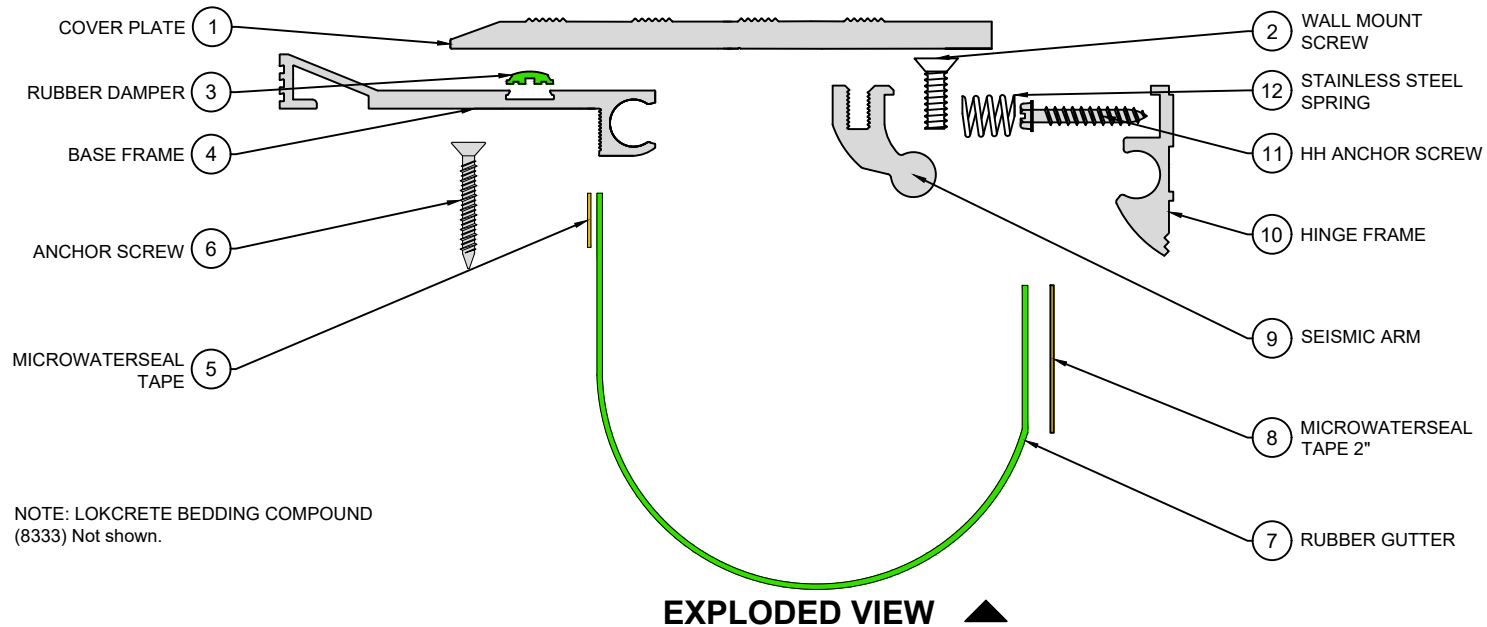
NTS

Drawing Number:

SHT. 2 OF 3

Issue Date:
06/04/2021

30250-03A



EXPLODED VIEW ▲

PART NUMBERS ▼

Locator	Part Designation	BIS-400	BIS-600	BIS-800	BIS-1000	BIS-1200
1	Cover Plate	7146	7147	7148	7149	7150
2	Wall Mount Screw	9349	9349	9349	9349	9349
3	Rubber Damper	8461-65	8461-65	8461-65	8461-65	8461-65
4	Base Frame	ASSY-71397141-M-10-00-18	ASSY-71397141-M-10-00-18	ASSY-71387141-M-10-00-18	ASSY-71387141-M-10-00-18	ASSY-71387141-M-10-00-18
5	Microwaterseal Tape	Microwaterseal60X3/4	Microwaterseal60X3/4	Microwaterseal60X3/4	Microwaterseal60X3/4	Microwaterseal60X3/4
6	Anchor Screw	9377	9377	9377	9377	9377
7	Rubber Gutter	9109-14	9109-18	9109-24	9109-26	9109-26
8	Microwaterseal Tape	Microwaterseal30X2	Microwaterseal30X2	Microwaterseal30X2	Microwaterseal30X2	Microwaterseal30X2
9	Seismic Arm	8357	8357	8357	8357	8357
10	Hinge Frame	8358	8358	8358	8358	8358
11	HH Anchor Screw	9397	9397	9397	9397	9397
12	Stainless Steel Spring	8317	8317	8317	8317	8317



50 MM WAY
 PENDERGRASS, GA. 30567
 706-824-7500 PHONE
 800-241-3460 TOLL FREE
 706-824-7501 FAX
www.mm.systems

For Spec-Data, Install Guides, and other data visit www.mm.systems

RIGHTS OF DESIGN

All rights of design, detail, engineering and/or invention contained herein are the property of MM Systems and hereby reserved and are not to be reproduced or provided to any other party. MM Systems reserves the right to amend or withdraw any information contained herein without notice and will not be liable for any inaccuracy or ambiguity of said information.

**Bolt-In Seismic Expansion Joint
 BIS-C Series (400-1200)**

Drawn by: BGS	Scale: NTS	Drawing Number: 30250-03A
SHT. 3 OF 3	Issue Date: 06/04/2021	