

**BIS Series Expansion Joint**  
**Sizes 400 through 1200**  
**(Slab-to-Slab)**



50 MM WAY  
 PENDERGRASS, GA. 30567  
 706-824-7500 PHONE  
 800-241-3460 TOLL FREE  
 706-824-7501 FAX  
[www.mm.systems](http://www.mm.systems)

**RIGHTS OF DESIGN**  
 All rights of design, detail, engineering and/or invention contained herein are the property of MM Systems and hereby reserved and are not to be reproduced or provided to any other party. MM Systems reserves the right to amend or withdraw any information contained herein without notice and will not be liable for any inaccuracy or ambiguity of said information.

**Bolt-In Seismic Expansion Joint**  
**BIS Series (400-1200)**

Drawn by: MVP	Scale: NTS	Drawing Number:  <b>30250-01A</b>
SHT. 1 OF 3	Issue Date: 06/02/2021	

For Spec-Data, Install Guides, and other data visit [www.mm.systems](http://www.mm.systems)

## BIS SERIES EXPANSION JOINT MOVEMENT CHART (400-1200)

Model Number	Joint Opening (JO <sup>N</sup> )		Sight Line (SL <sup>N</sup> )		Thermal Movement (JO <sup>T</sup> )				Seismic Movement (JO <sup>S</sup> )				Total (JO <sup>A</sup> ) Movement		Slide Plate Thickness (ST)		Slide Plate Width (SW)		Blockout Width (BW)		Blockout Depth (BD)	
	Nominal		Nominal		Minimum	Maximum	Minimum	Maximum	Minimum	Maximum	Minimum	Maximum	Minimum	Maximum								
BIS-400	<b>4.00</b>	102	<b>12.74</b>	324	<b>2.00</b>	51	<b>6.00</b>	152	<b>2.00</b>	51	<b>6.00</b>	152	<b>4.00</b>	102	<b>0.250</b>	6	<b>7.50</b>	191	<b>4.75</b>	121	<b>0.750</b>	19
BIS-600	<b>6.00</b>	152	<b>14.74</b>	374	<b>4.00</b>	102	<b>8.00</b>	203	<b>2.00</b>	51	<b>9.00</b>	229	<b>7.00</b>	178	<b>0.375</b>	10	<b>10.00</b>	254	<b>4.75</b>	121	<b>0.750</b>	19
BIS-800	<b>8.00</b>	203	<b>19.74</b>	501	<b>6.00</b>	152	<b>10.00</b>	254	<b>2.00</b>	51	<b>12.00</b>	305	<b>10.00</b>	254	<b>0.375</b>	10	<b>13.50</b>	343	<b>6.25</b>	159	<b>0.750</b>	19
BIS-1000	<b>10.00</b>	254	<b>21.74</b>	552	<b>8.00</b>	203	<b>12.00</b>	305	<b>2.00</b>	51	<b>15.00</b>	381	<b>13.00</b>	330	<b>0.375</b>	10	<b>16.00</b>	406	<b>6.25</b>	159	<b>0.750</b>	19
BIS-1200	<b>12.00</b>	305	<b>23.74</b>	603	<b>10.00</b>	254	<b>14.00</b>	356	<b>4.75</b>	121	<b>18.00</b>	457	<b>13.25</b>	337	<b>0.500</b>	13	<b>18.50</b>	470	<b>6.25</b>	159	<b>0.750</b>	19

Dimension shown in **inches** (bold) and millimeters. Refer to the BIS AutoCAD file for individual system drawings.

### BIS SERIES LOAD RATING CHART

Model Number	Auto	Utility Vehicle	Bus	AASHTO HS20
BIS-400	✓	*	✓	*
BIS-600	✓	✓	✓	*
BIS-800	✓	✓	✓	*
BIS-1000	✓	✓	*	*
BIS-1200	✓	✓	✓	*

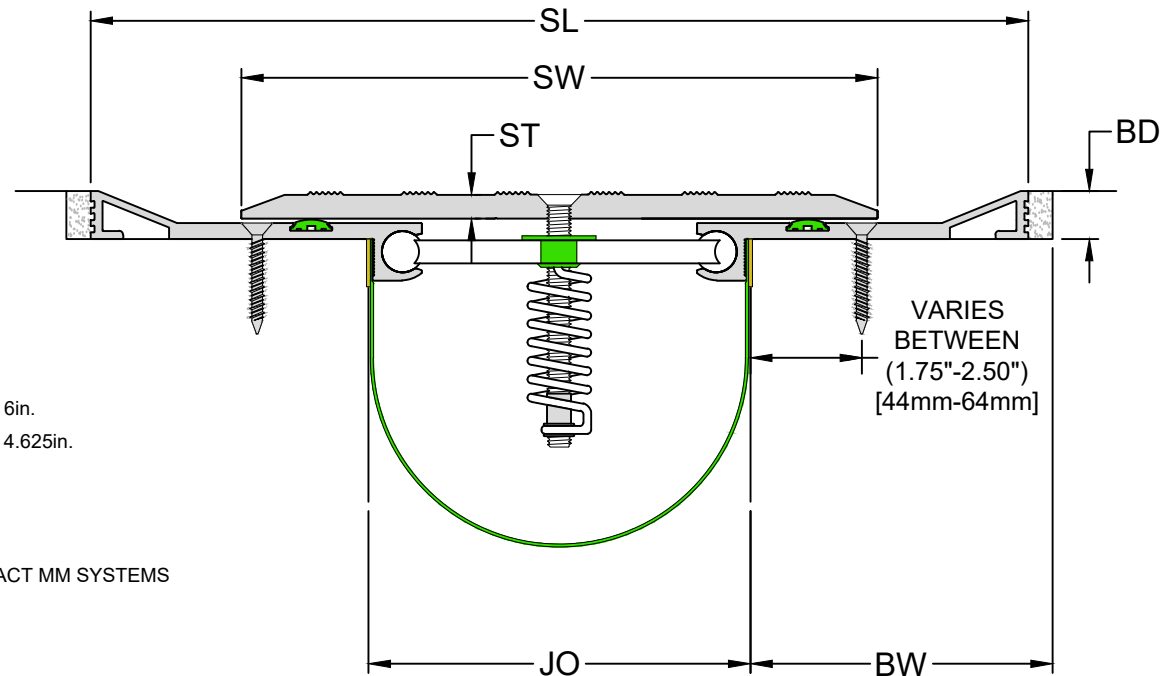
Auto: 8,000lb passenger vehicle, 2,000lb concentrated load, footprint = 6in. x 6in.

Utility Vehicle: 8,000lb utility cart, 2,000lb concentrated load, footprint = 6in. x 4.625in.

Bus: 24,080lb Bluebird Bus, 4,013lb concentrated load, footprint = 8in. x 8in.

AASHTO HS20: 64,000lb emergency vehicle, 16,000lb concentrated load, footprint = 10in. x 20in.

\* FOR PROJECT SPECIFIC LOADING REQUIREMENTS, PLEASE CONTACT MM SYSTEMS



50 MM WAY  
PENDERGRASS, GA. 30567  
706-824-7500 PHONE  
800-241-3460 TOLL FREE  
706-824-7501 FAX  
[www.mm.systems](http://www.mm.systems)

For Spec-Data, Install Guides, and other data visit [www.mm.systems](http://www.mm.systems)

### RIGHTS OF DESIGN

All rights of design, detail, engineering and/or invention contained herein are the property of MM Systems and hereby reserved and are not to be reproduced or provided to any other party. MM Systems reserves the right to amend or withdraw any information contained herein without notice and will not be liable for any inaccuracy or ambiguity of said information.

## Bolt-In Seismic Expansion Joint BIS Series (400-1200)

Drawn by:

MVP

Scale:

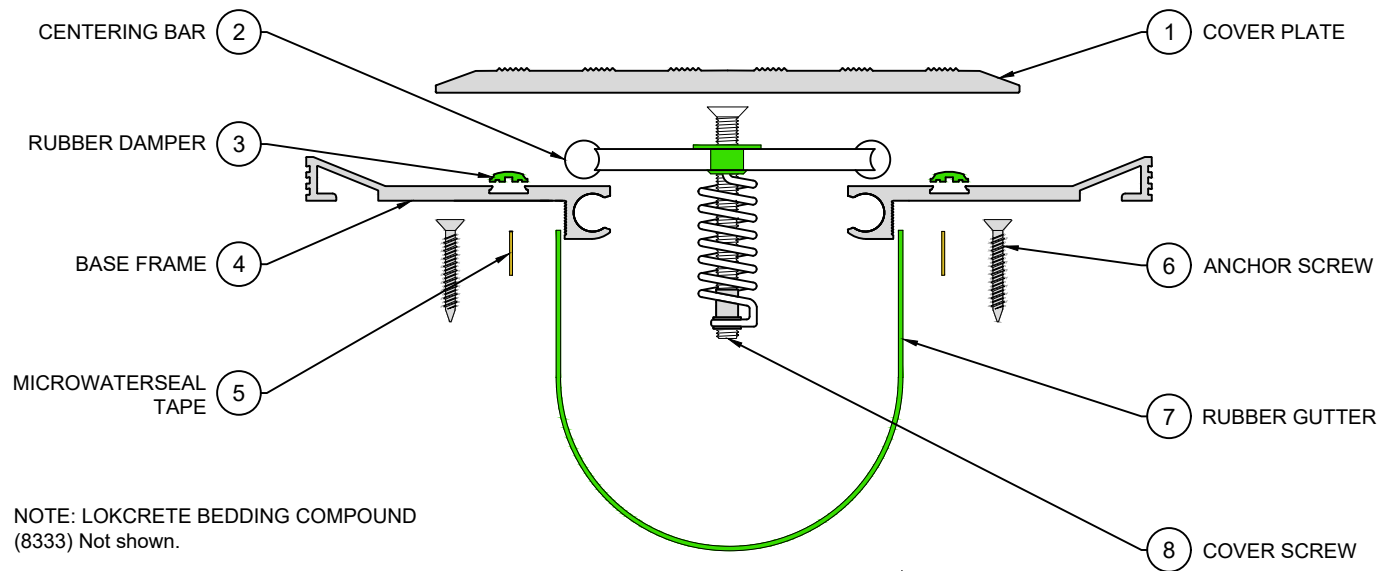
NTS

Drawing Number:

SHT. 2 OF 3

Issue Date:  
06/08/2021

30250-01A



**EXPLODED VIEW** ▲

**PART NUMBERS** ▼

Locator	Part Designation	BIS-400	BIS-600	BIS-800	BIS-1000	BIS-1200
1	Cover Plate	7146	7147	7148	7149	7150
2	Centering Bar	ASSY-SCD-1000	ASSY-SCD-1400	ASSY-SCD-1400	ASSY-SCD-1700	ASSY-SCD-2000-S001
3	Rubber Damper	8461-65	8461-65	8461-65	8461-65	8461-65
4	Base Frame	ASSY-71397141-M-10-00-18	ASSY-71397141-M-10-00-18	ASSY-71387141-M-10-00-18	ASSY-71387141-M-10-00-18	ASSY-71387141-M-10-00-18
5	Microwaterseal Tape	Microwaterseal60X3/4	Microwaterseal60X3/4	Microwaterseal60X3/4	Microwaterseal60X3/4	Microwaterseal60X3/4
6	Anchor Screw	9377	9377	9377	9377	9377
7	Rubber Gutter	9109-14	9109-18	9109-24	9109-26	9109-26
8	Cover Screw	8325	8325	8325	8325	8325



50 MM WAY  
 PENDERGRASS, GA. 30567  
 706-824-7500 PHONE  
 800-241-3460 TOLL FREE  
 706-824-7501 FAX

[www.mm.systems](http://www.mm.systems)

For Spec-Data, Install Guides, and other data visit [www.mm.systems](http://www.mm.systems)

**RIGHTS OF DESIGN**

All rights of design, detail, engineering and/or invention contained herein are the property of MM Systems and hereby reserved and are not to be reproduced or provided to any other party. MM Systems reserves the right to amend or withdraw any information contained herein without notice and will not be liable for any inaccuracy or ambiguity of said information.

**Bolt-In Seismic Expansion Joint  
 BIS Series (400-1200)**

Drawn by:

MVP

Scale:

NTS

Drawing Number:

SHT. 3 OF 3

Issue Date:

06/02/2021

30250-01A