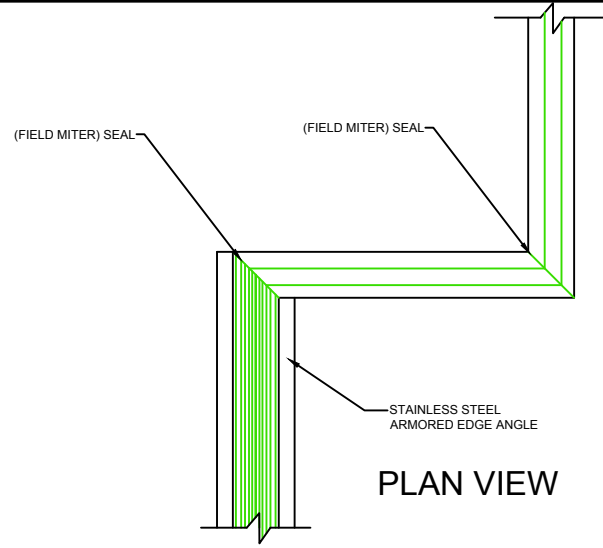
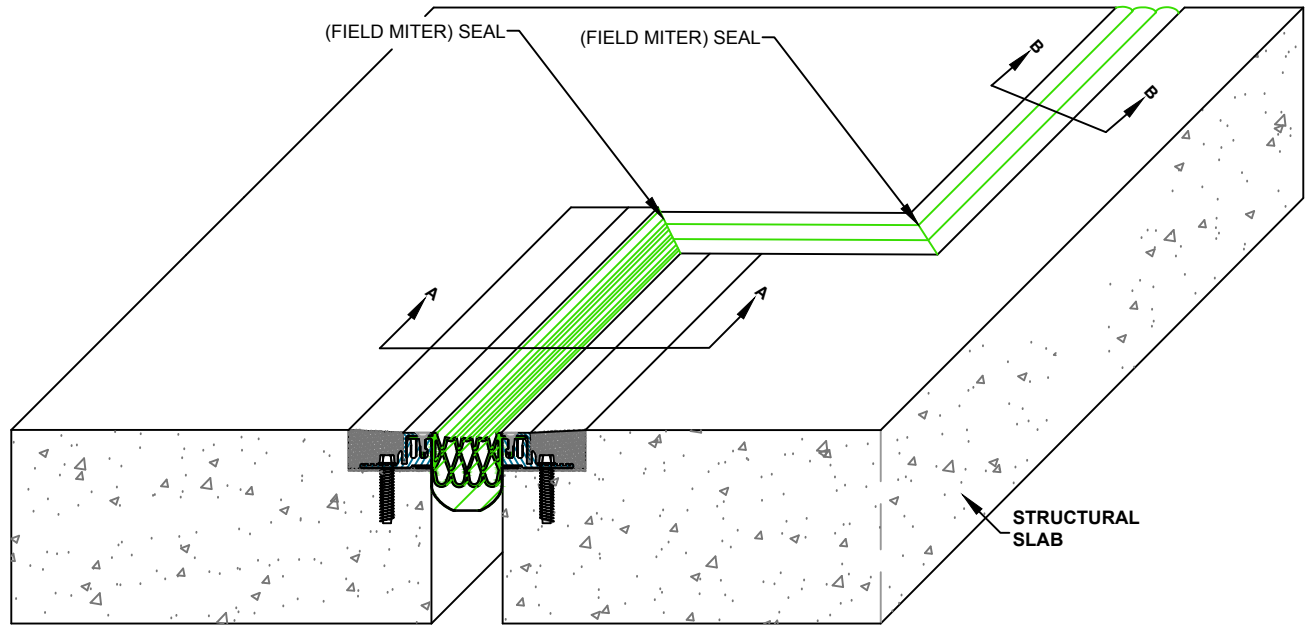


SECTION A-A



PLAN VIEW



50 MM WAY
 PENDERGRASS, GA. 30567
 706-824-7500 PHONE
 800-241-3460 TOLL FREE
 706-824-7501 FAX

www.mm-usa.com

For Spec-Data, Install Guides and other data visit www.mm-usa.com.

RIGHTS OF DESIGN

All rights of design, detail, engineering and/or invention contained herein are the property of MM Systems Corporation and hereby reserved and are not to be reproduced or provided to any other party. MM Systems Corporation reserves the right to amend or withdraw any information contained herein without notice and will not be liable for any inaccuracy or ambiguity of said information.

**Armored Strip Bolt-Down Membrane Expansion joint
 ASB Series Z-Transition**

Drawn by: DMW	Scale: NTS	Drawing Number: 31851-04
SHT. 1 OF 1	Issue Date: 03-14-2016	