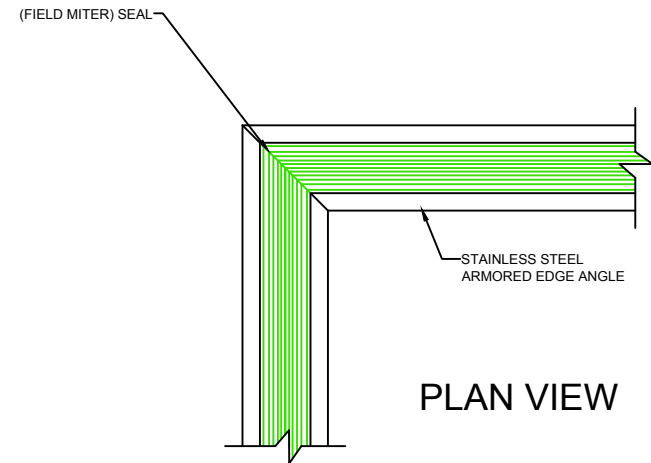
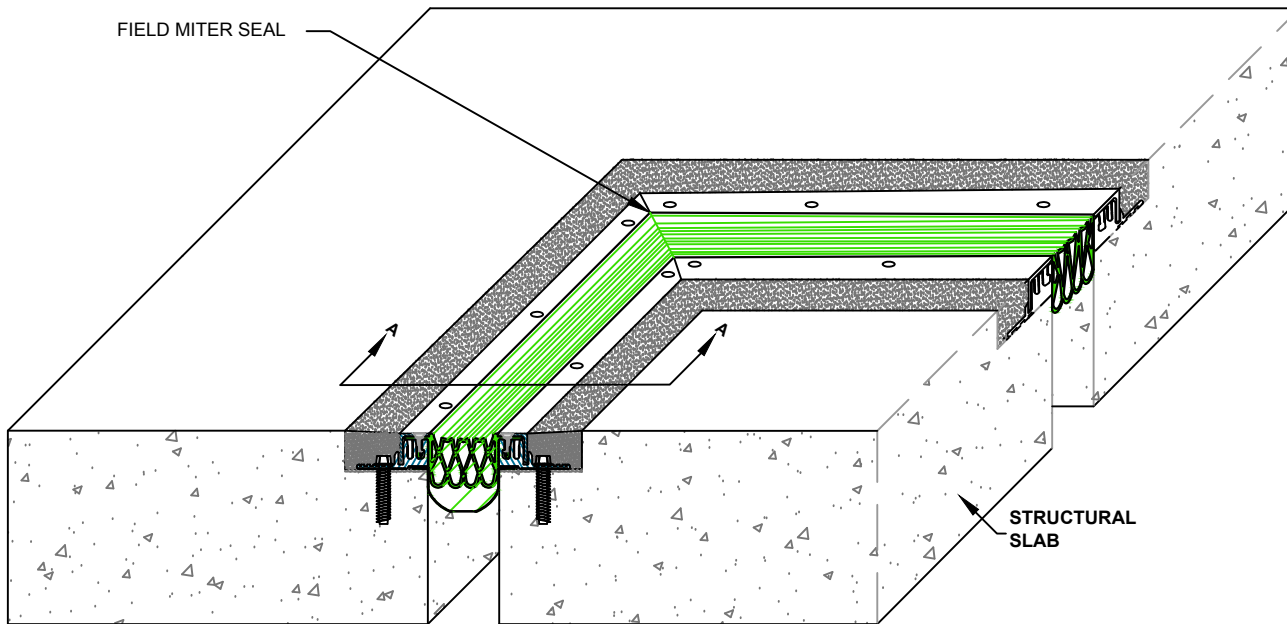


SECTION A-A



PLAN VIEW



FIELD MITER SEAL

STRUCTURAL SLAB



50 MM WAY  
 PENDERGRASS, GA. 30567  
 706-824-7500 PHONE  
 800-241-3460 TOLL FREE  
 706-824-7501 FAX

[www.mm-usa.com](http://www.mm-usa.com)

For Spec-Data, Install Guides and other data visit [www.mm-usa.com](http://www.mm-usa.com).

**RIGHTS OF DESIGN**

All rights of design, detail, engineering and/or invention contained herein are the property of MM Systems Corporation and hereby reserved and are not to be reproduced or provided to any other party. MM Systems Corporation reserves the right to amend or withdraw any information contained herein without notice and will not be liable for any inaccuracy or ambiguity of said information.

**Armored Strip Bolt-Down Membrane Expansion joint  
 ASB Series 90 Degree Transition**

|                  |                           |                 |
|------------------|---------------------------|-----------------|
| Drawn by:<br>DMW | Scale:<br>NTS             | Drawing Number: |
| SHT. 1 OF 1      | Issue Date:<br>03-14-2016 | <b>31851-03</b> |