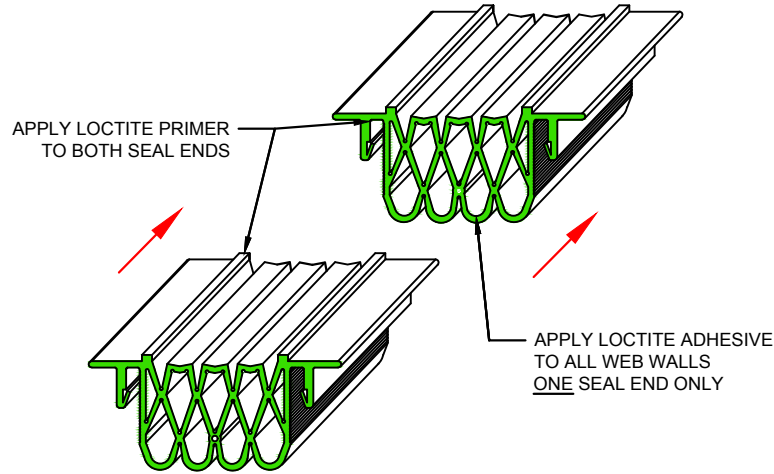
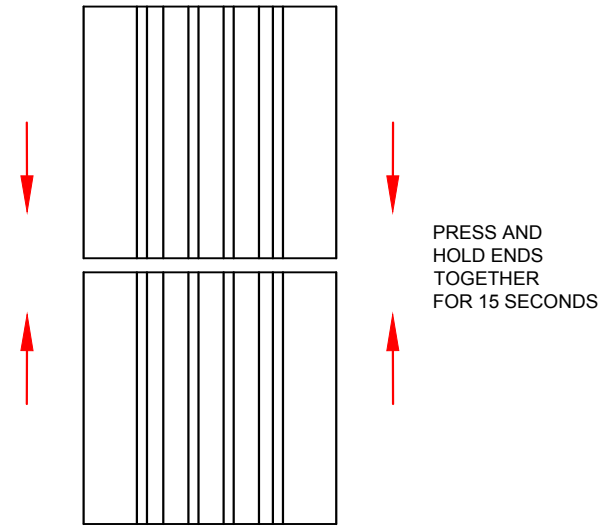


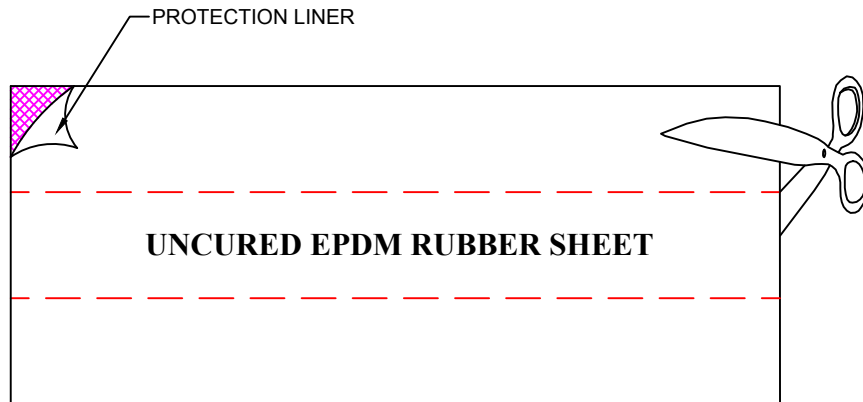
STEP 1 - Square off the seal ends to be joined when adjoining the ends of two lengths of seal together. Clean rubber seal ends with Denatured Alcohol and let dry.



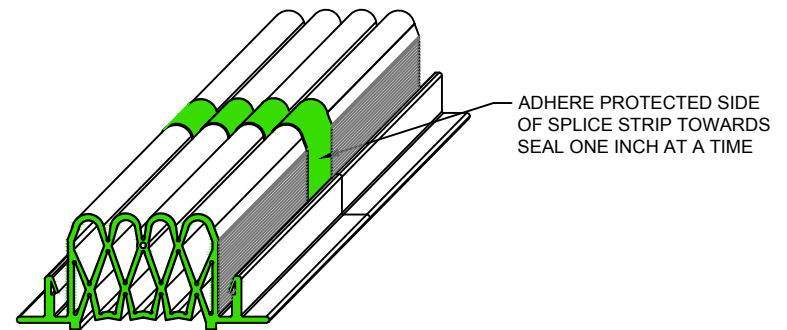
STEP 2 - Adjoin ends of seal together by applying **Loctite Primer** to both ends and **Loctite Adhesive** to only one of the ends to be joined. Hold ends together for approximately 15 seconds.



STEP 3 - Cut 6" wide uncured EPDM rubber sheet into 2" wide strips. Remove protective liner from 2" splice strip immediately prior to adhering to back side of rubber seal. (No Cleaning Required).



STEP 4 - Apply **Loctite Primer** to the entire seal & splice strip contact area. Apply **Loctite Adhesive** only to the seal surface one inch at a time. Use margin trowel to hold the splice strip in place for 15 seconds. Continue on inch at a time until the entire strip is bonded to the seal.



50 MM WAY
PENDERGRASS, GA. 30567
706-824-7500 PHONE
800-241-3460 TOLL FREE
706-824-7501 FAX

www.mm-usa.com

For Spec-Data, Install Guides and other data visit www.mm-usa.com.

RIGHTS OF DESIGN

All rights of design, detail, engineering and/or invention contained herein are the property of MM Systems Corporation and hereby reserved and are not to be reproduced or provided to any other party. MM Systems Corporation reserves the right to amend or withdraw any information contained herein without notice and will not be liable for any inaccuracy or ambiguity of said information.

**Armored Bolt-Down Covered Strip Membrane System
ABC Field Butt Splice Transition**

Drawn by: DMW	Scale: NTS	Drawing Number: 31876-01
SHT. 1 OF 1	Issue Date: 03-10-2016	