

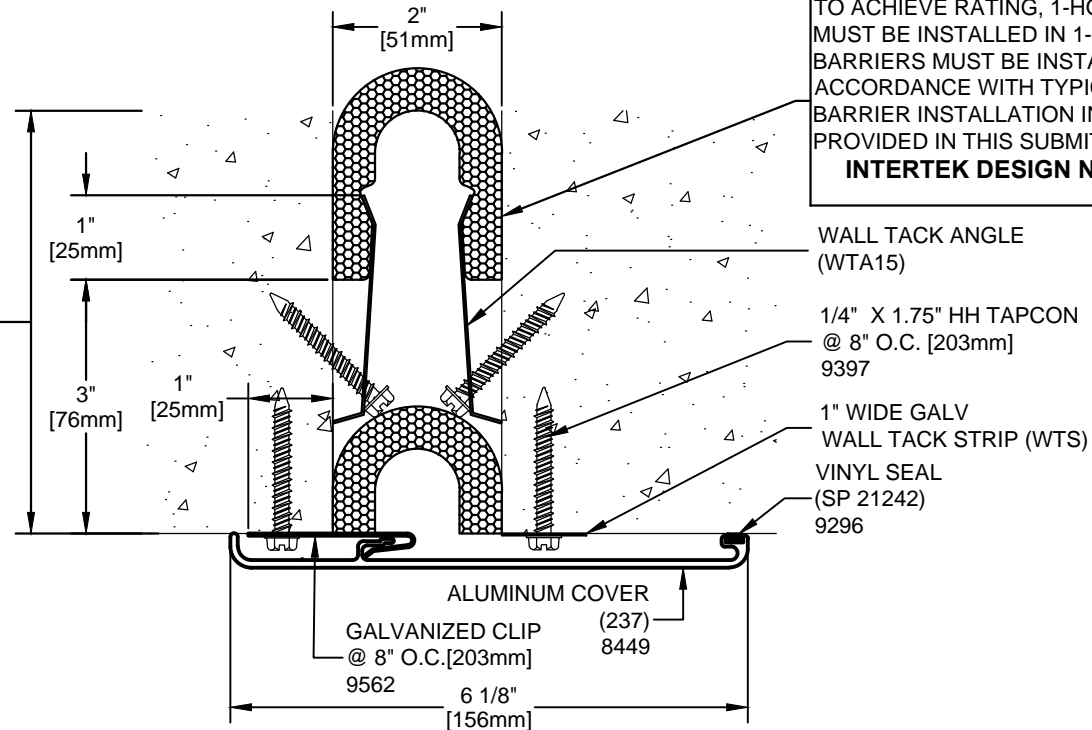
IMPORTANT LIFE SAFETY PRODUCT NOTE

PF-1018CW-SC-2-1
 TO ACHIEVE RATING, 1-HOUR FIRE BARRIER
 MUST BE INSTALLED IN 1-HOUR RATED WALL.
 BARRIERS MUST BE INSTALLED IN STRICT
 ACCORDANCE WITH TYPICAL WALL FIRE
 BARRIER INSTALLATION INSTRUCTIONS
 PROVIDED IN THIS SUBMITTAL.

INTERTEK DESIGN NO. MM/EJV 60-02

IMPORTANT LIFE SAFETY NOTE

NOTE 2 BARRIERS REQUIRED.
 MINIMUM WALL DEPTH REQUIRED FOR RATING:
 5" [127mm] FOR SINGLE SIDE INSTALLATION
 (SHOWN)
 ARCHITECT / CONTRACTOR MUST VERIFY PRIOR
 TO FABRICATION



WALL TACK ANGLE
 (WTA15)

1/4" X 1.75" HH TAPCON
 @ 8" O.C. [203mm]
 9397

1" WIDE GALV
 WALL TACK STRIP (WTS)

VINYL SEAL
 (SP 21242)
 9296

ALUMINUM COVER
 GALVANIZED CLIP
 @ 8" O.C. [203mm]
 9562

(237)
 8449

6 1/8"
 [156mm]

Model	Nominal "JT"	Joint Opening "JT"				Total Movement	Mat. Code
		Seismic Min.	Thermal Min.	Thermal Max.	Seismic Max.		
EX-K6_2"_CONC_1HWPF_SS	2"	0.875"	1.5"	2.5"	3"	2.125"	

Representative: _____ Customer: _____ Project: _____ Location: _____ Project Number: _____



MM

MM SYSTEMS

50 MM WAY
 PENDERGRASS, GA. 30567
 PHONE: 706-824-7500
 800-241-3460
 FAX: 706-824-7501

www.mmsystemscorp.com

For Spec-Data, Installation Guides, or movement requirements, contact MMSC

RIGHTS OF DESIGN

All rights of design, detail, engineering and/or invention contained herein are the property of MM Systems Corporation and hereby reserved and are not to be reproduced or provided to any other party. MM Systems Corporation reserves the right to amend or withdraw any information contained herein without notice and will not be liable for any inaccuracy or ambiguity of said information.

EX-K6_2"_CONC_1HWPF_SS

Model:

Drawn by:

BOO

Scale:

NTS

Drawing Number:

SHT. . OF .

Issue Date:

08-27-15