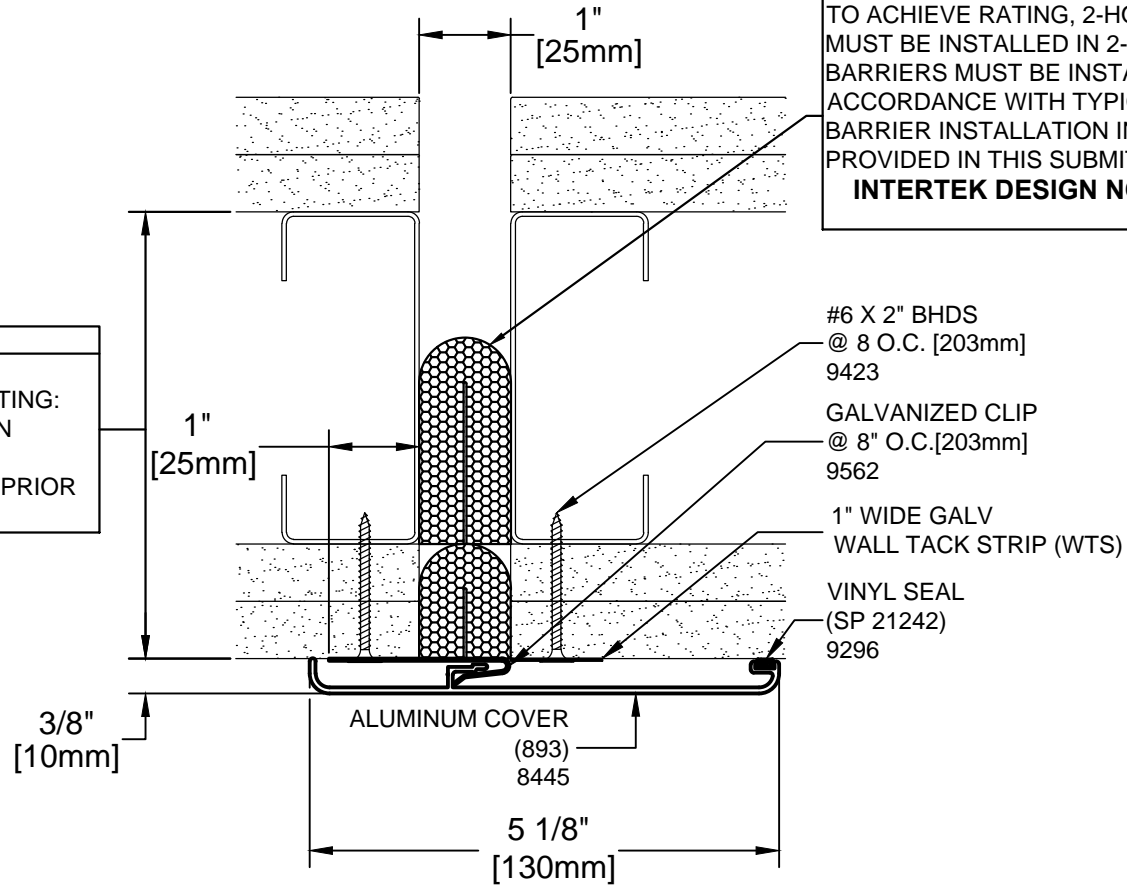


IMPORTANT LIFE SAFETY PRODUCT NOTE

PF-2018CW-SC-1-1
 TO ACHIEVE RATING, 2-HOUR FIRE BARRIER MUST BE INSTALLED IN 2-HOUR RATED WALL. BARRIERS MUST BE INSTALLED IN STRICT ACCORDANCE WITH TYPICAL WALL FIRE BARRIER INSTALLATION INSTRUCTIONS PROVIDED IN THIS SUBMITTAL.
INTERTEK DESIGN NO. MM/EJV 120-03

IMPORTANT LIFE SAFETY NOTE
 NOTE 2 BARRIERS REQUIRED.
 MINIMUM WALL DEPTH REQUIRED FOR RATING: 5" [127mm] FOR SINGLE SIDE INSTALLATION (SHOWN)
 ARCHITECT / CONTRACTOR MUST VERIFY PRIOR TO FABRICATION



| Model | Nominal "JT" | Joint Opening "JT" | | | | Total Movement | Mat. Code |
|------------------------|--------------|--------------------|--------------|--------------|--------------|----------------|-----------|
| | | Seismic Min. | Thermal Min. | Thermal Max. | Seismic Max. | | |
| EX-K4_1"_STUD_2HWPF_SS | 1" | 0.875" | 0.875" | 1.25" | 2" | 1.125" | EJMW1006 |

Representative: _____ Customer: _____ Project: _____ Location: _____ Project Number: _____



MM

MM SYSTEMS

50 MM WAY
 PENDERGRASS, GA. 30567
 PHONE: 706-824-7500
 800-241-3460
 FAX: 706-824-7501

www.mmsystemscorp.com

For Spec-Data, Installation Guides, or movement requirements, contact MMSC

RIGHTS OF DESIGN

All rights of design, detail, engineering and/or invention contained herein are the property of MM Systems Corporation and hereby reserved and are not to be reproduced or provided to any other party. MM Systems Corporation reserves the right to amend or withdraw any information contained herein without notice and will not be liable for any inaccuracy or ambiguity of said information.

EX-K4_1"_STUD_2HWPF_SS

Model: _____
 Drawn by: BOO
 Scale: NTS
 Issue Date: 08-27-15
 Drawing Number: **EJMW1006**

SHT. . OF .