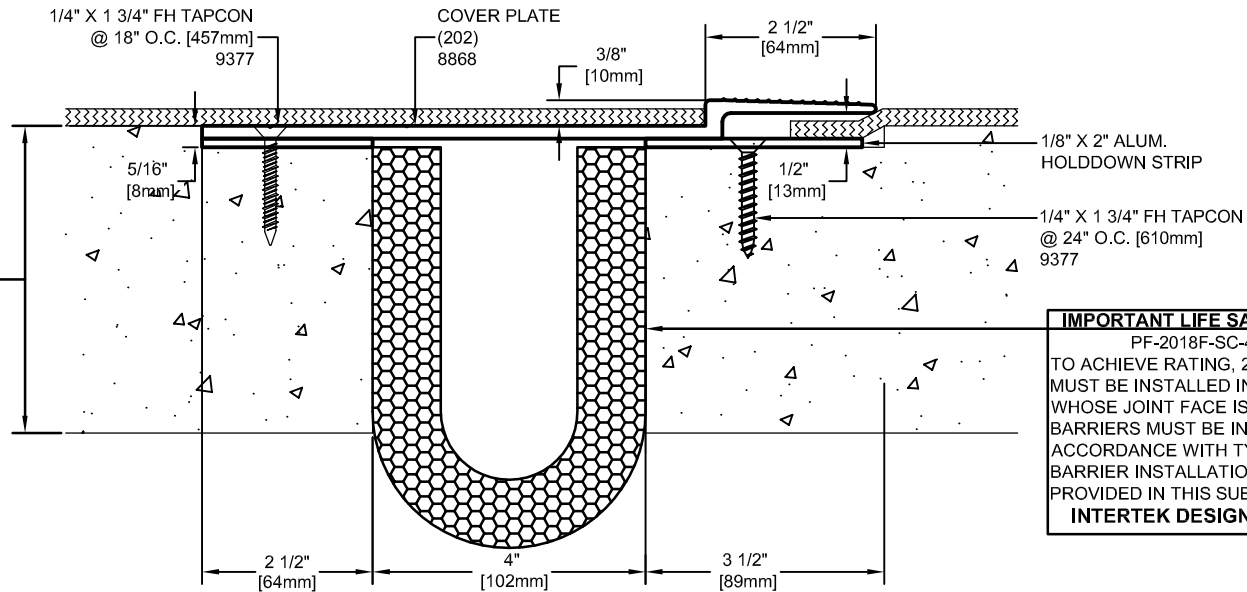


IMPORTANT LIFE SAFETY NOTE
 SLAB THICKNESS AND CONSTRUCTION TO MEET HOURLY ENDURANCE REQUIRED. REFER TO IBC TABLE 721.2.2.1 "MINIMUM SLAB THICKNESS".



IMPORTANT LIFE SAFETY PRODUCT NOTE
 PF-2018F-SC-4-2
 TO ACHIEVE RATING, 2-HOUR FIRE BARRIER MUST BE INSTALLED IN THE JOINT OPENING WHOSE JOINT FACE IS RATED FOR 2-HOUR. BARRIERS MUST BE INSTALLED IN STRICT ACCORDANCE WITH TYPICAL FLOOR FIRE BARRIER INSTALLATION INSTRUCTIONS PROVIDED IN THIS SUBMITTAL.
INTERTEK DESIGN NO. MME/EJH 120-01

Model	Nominal "JT"	Joint Opening "JT"			Selsmic Max.	Total Movement	Mat. Code
		Selsmic Min.	Thermal Min.	Thermal Max.			
HCP-4-1-MOD_2HFPF	4"	3"	3.5"	4.5"	5"	2"	

Representative: _____ Customer: _____ Project: _____ Location: _____ Project Number: _____

MM SYSTEMS
 50 MM WAY
 PENDERGRASS, GA. 30567
 PHONE: 706-824-7500
 800-241-3460
 FAX: 706-824-7501
www.mmsystemscorp.com
 For Spec-Data, Installation Guides, or movement requirements, contact MMSC

RIGHTS OF DESIGN
 All rights of design, detail, engineering and/or invention contained herein are the property of MM Systems Corporation and hereby reserved and are not to be reproduced or provided to any other party. MM Systems Corporation reserves the right to amend or withdraw any information contained herein without notice and will not be liable for any inaccuracy or ambiguity of said information.

Model: HCP-4-1-MOD_2HFPF

Drawn by: LMP	Scale: NTS	Drawing Number:
SHT. . OF .	Issue Date: 11-06-15	