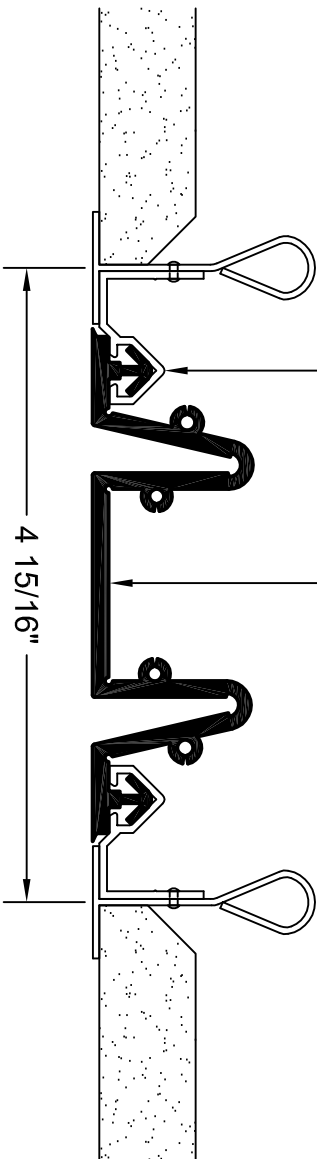


FRAME
(879)
8814

SEAL
(VSS-400)
9824



ARCHITECT/CONTRACTOR NOTE:
ALL SUBASSEMBLY COMPONENTS TO BE PROVIDED IN 10'-0" OR 20'-0" STOCK LENGTHS UNLESS OTHERWISE NOTED. THE SPECIFIC SYSTEMS DICTATE THE LENGTHS PROVIDED.

Representative: _____ Customer: _____

Project: _____

Location: _____

Project Number: _____

Approved by: _____ Date: _____

SEAL NOTE: SPECIFY SEAL COLOR

STANDARD COLORS:

CARBON (BLACK)

FOG (GRAY)

PRAIRIE (BEIGE)

LUNAR (WHITE)

*CUSTOM COLOR AVAILABLE IN MINIMUM QUANTITIES 100 LBS CONTRACT MM FOR PRICING & AVAILABILITY.

RIGHTS OF DESIGN

All rights of design, detail, engineering and/or invention contained herein are the property of MM Systems Corporation and hereby reserved and are not to be reproduced or provided to any other party. MM Systems Corporation reserves the right to amend or withdraw any information contained herein without notice and will not be liable for any inaccuracy or ambiguity of said information.



MM SYSTEMS

50 MM WAY
PENDERGRASS, GA. 30567
PHONE: 706-824-7500
866-50 MM WAY
866-506-6929
FAX: 706-824-7501

www.mmssystemscorp.com

For Spec-Data, Installation Guides, or movement requirements, contact MMSC

VSG-400

Model:

Drawn by:

SHT. . OF .

Scale:

NTS

Issue Date:

08-09-06

Drawing Number:

▪